

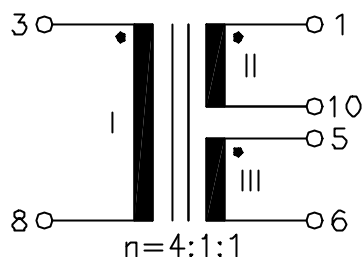
ISDN

UM MODEL NO.:	SPECIFICATION	REV.	
UT21113	S _O -Interface Transformer	A1	98/47

Characteristic data:

- f=96KHz
- C_{wII+III} ≈ 30pF
- R_I ≈ 3.8Ω
- R_{II}=R_{III} ≈ 0.6Ω
- ΔI_{dc}=3mA
- T_{u(amb)} ≤ 60°C

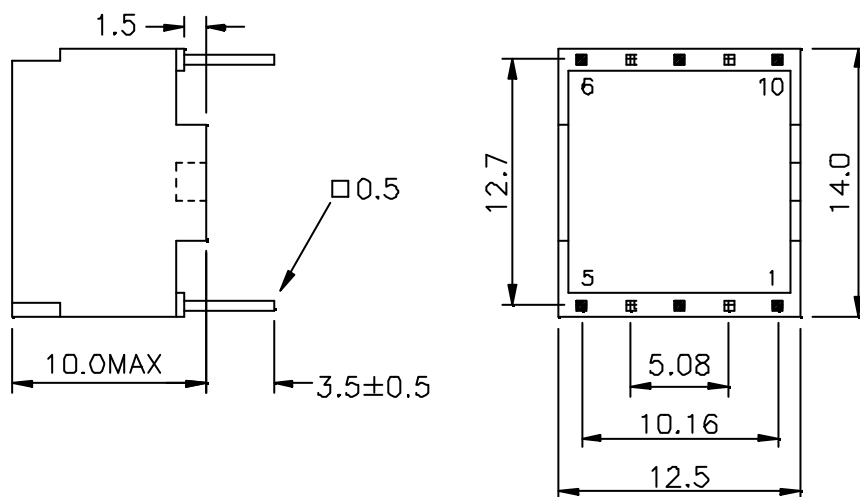
Schematic diagram:



Electrical Specification at 25°C:

- 1.) L_{II+III} ≥ 30mH, (N_{II}+N_{III} series), at 10KHz 100mV
- 2.) Polarity and turns ratio tolerance ±1%
- 3.) C_k ≤ 45pF, (N_I to N_{II} || N_{III}), at 10KHz 100mV
- 4.) L_{s II+III} ≤ 3.0uH, (N_{II}+N_{III} series, N_I shorted), at 100KHz 100mV
- 5.) Z_{II}=Z_{III} ≥ 625Ω, at 20KHz 100mV with ΔI_{dc}=3mA
- 6.) HI-pot test:
 - U_p=1.5KVrms, 1s(N_I to N_{II}+N_{III})
 - U_p=0.5KVrms, 2s(N_{II} to N_{III})

Dimension:



Note: Specifications are subject to change without prior notice.

UNIT: mm

Tolerances ±0.2mm

