

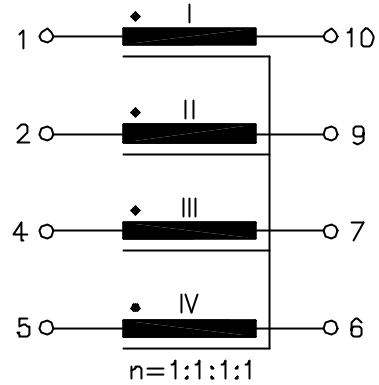
# ISDN

UM MODEL NO.:	SPECIFICATION	REV.	
UT21118	4-Fold Common Mode Choke	A1	98/47

**Characteristic data:**

RI ~ IV  $\approx 0.5\Omega$   
 In=250mA  
 Tu(amb) $\leq 60^{\circ}\text{C}$

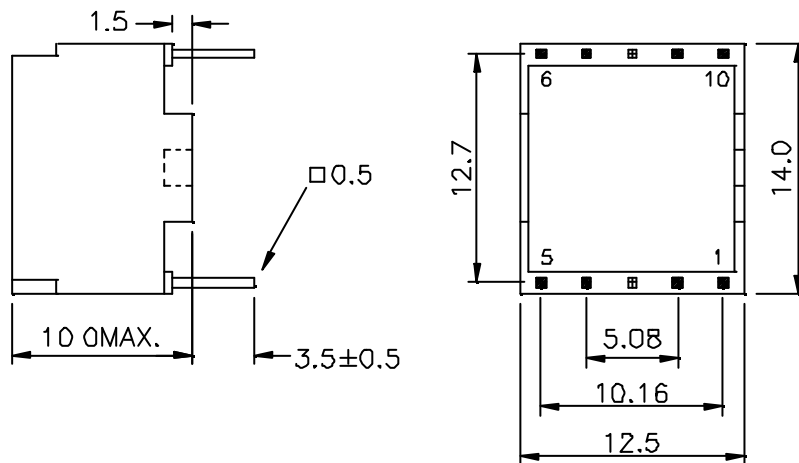
**Schematic diagram:**



**Electrical Specification at 25<sup>o</sup>C:**

- 1.) L=11.5mH +50%/-30%, at 10KHz 100mV
- 2.) Polarity and turns ratio tolerance:  $\pm 1\%$
- 3.) Ls  $\leq 0.5\mu\text{H}$ , (NII, III, IV shorted), at 100KHz 100mV
- 4.) HI-pot test:  
 Up=1.0KVrms, 2s(Winding to Winding)

**Dimension:**



Note: Specifications are subject to change without prior notice.

UNIT: mm

Tolerances:  $\pm 0.2\text{mm}$



UNIVERSAL MICROELECTRONICS CO.,LTD.  
 TEL:886-4-23590096 FAX:886-4-23590129  
<http://www.umec-web.com> Email:business@umec.com.tw

3,27TH RD.,TAICHUNG INDUSTRIAL PARK,  
 TAICHUNG,TAIWAN,R.O.C

E10-013-C