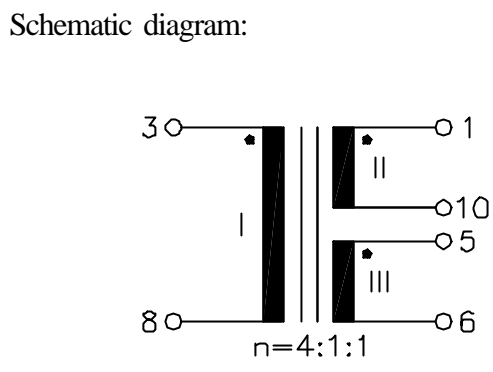


ISDN

UM MODEL NO.:	SPECIFICATION	REV.	
UT21132	S _O -Interface Transformer	A1	98/47

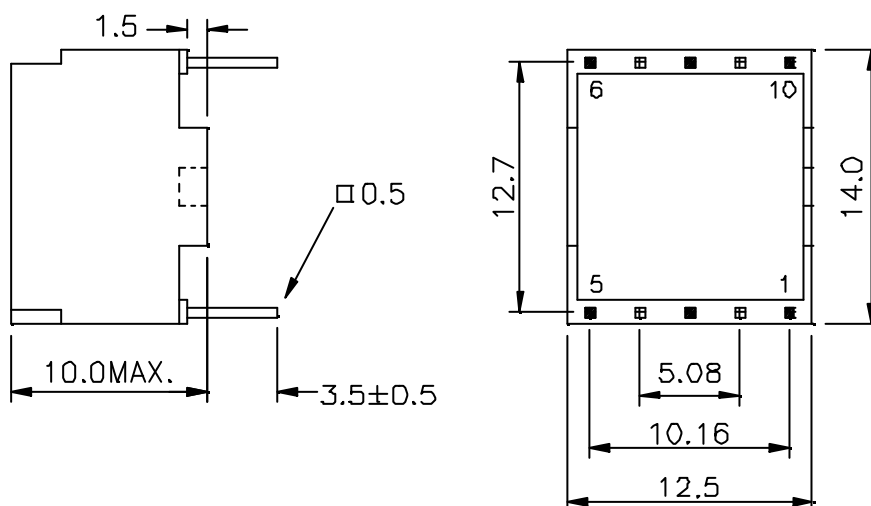
Characteristic data:
 $f=96\text{KHz}$
 $C_{wII+III} \approx 30\text{pF}$
 $R_I \approx 3.8\Omega$
 $R_{II}=R_{III} \approx 0.6\Omega$
 $\Delta I_{dc}=3\text{mA}$
 $T_u(\text{amb}) \leq 60^\circ\text{C}$



Electrical Specification at 25°C:

- 1.) $L_{II+III} \geq 30\text{mH}$, (NII+III series), at 10KHz 100mV
- 2.) Polarity and turns ratio tolerance: $\pm 1\%$
- 3.) $C_k \leq 90\text{pF}$, (NI to NII || NIII), at 10KHz 100mV
- 4.) $L_{sII+III} \leq 3.0\mu\text{H}$, (NII+III series, NI shorted), at 100KHz 100mV
- 5.) $Z_{II}=Z_{III} \geq 625\Omega$, at 20KHz 100mV with $\Delta I_{dc}=3\text{mA}$
- 6.) HI-pot test:
 $U_p=3.0\text{KVrms}, 2\text{s}$ (NI to NII+NIII)
 $U_p=0.5\text{KVrms}, 2\text{s}$ (NII to NIII)

Dimension:



Note: Specifications are subject to change without prior notice.

UNIT: mm

Tolerances $\pm 0.2\text{mm}$



UNIVERSAL MICROELECTRONICS CO.,LTD.
 TEL:886-4-23590096 FAX:886-4-23590129
<http://www.umec-web.com> Email:business@umec.com.tw

3,27TH RD.,TAICHUNG INDUSTRIAL PARK,
 TAICHUNG,TAIWAN,R.O.C

E10-013-C