

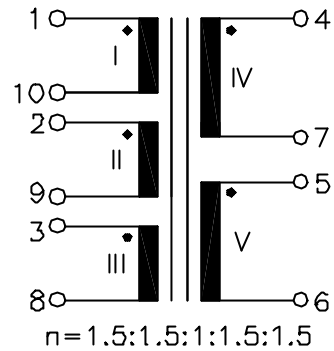
# ISDN

UM MODEL NO.:	SPECIFICATION	REV.	
UT21137	S <sub>2M</sub> -Interface Transformer	A2	99/27

**Characteristic data:**

f=50KHz...3.1MHz  
 RI=RII=RIV=RV ≈ 0.18Ω  
 RIII=0.13Ω  
 Tu(amb)≤60°C

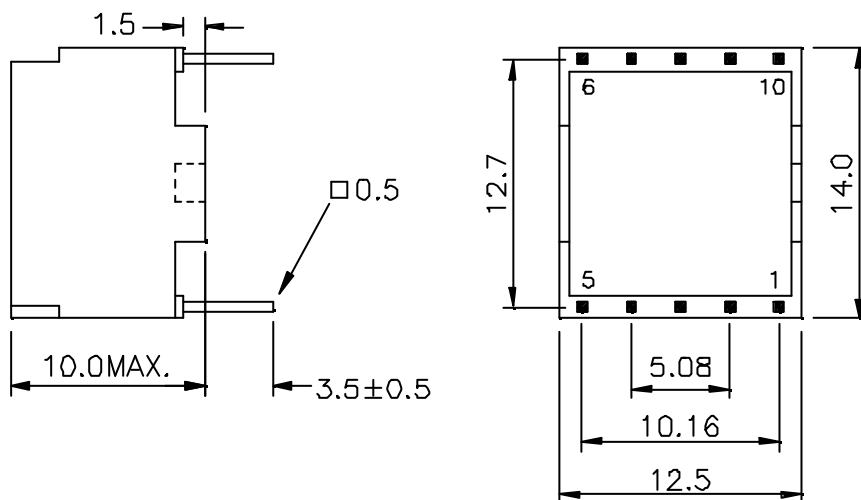
**Schematic diagram:**



**Electrical Specification at 25°C:**

- LI+II+III≥5mH,(NI+NII+NIII series), at 10KHz 100mV
- Polarity and turns ratio tolerance±2%
- Ls I+II+III≤1.0uH,(NI+NII+NIII series, NIV+V shorted), at 100KHz 100mV
- HI-pot test:  
 Up=2.0KVrms,2s(Winding to Winding)

**Dimension:**



Note: Specifications are subject to change without prior notice.

UNIT: mm

Tolerances±0.2mm

E10-013-C



UNIVERSAL MICROELECTRONICS CO.,LTD.  
 TEL:886-4-23590096 FAX:886-4-23590129  
<http://www.umec-web.com> Email:business@umec.com.tw

3,27TH RD.,TAICHUNG INDUSTRIAL PARK,  
 TAICHUNG,TAIWAN,R.O.C