

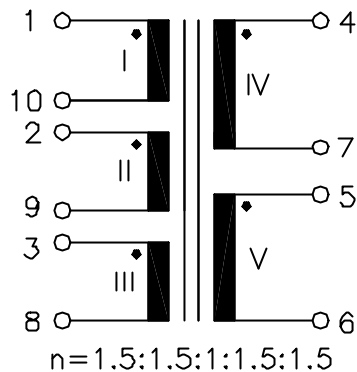
ISDN

UM MODEL NO.:	SPECIFICATION	REV.	
UT21137A	S _{2M} -Interface Transformer	A2	99/27

Characteristic data:

f=50KHz...3.1MHz
 RI=RII=RIV=RV ≈ 0.26Ω
 RIII=0.18Ω
 RIV=RV ≈ 0.25Ω
 Tu(amb)≤60°C

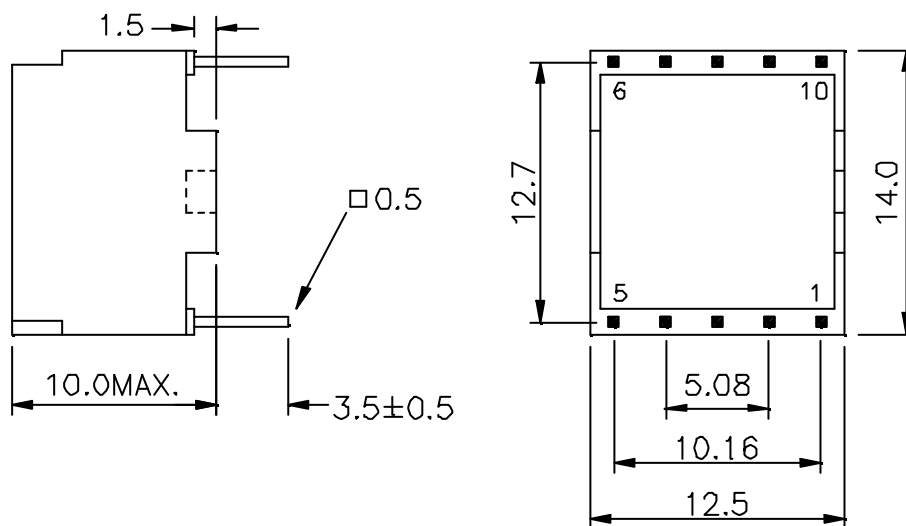
Schematic diagram:



Electrical Specification at 25°C:

- 1.) LI+II+III≥5mH,(NI+NII+NIII series),at 10KHz,100mV
- 2.)Polarity and turns ratio tolerance±2%
- 3.)LsI+II+III≤2.0uH,(NI+NII+NIII series, NIV+V shorted). at 100KHz,100mV
- 4.)HI-pot test:
 Up=2.0KVrms,2s(Winding to Winding)

Dimension:



Note: Specifications are subject to change without prior notice.

UNIT: mm

Tolerances±0.2mm

