

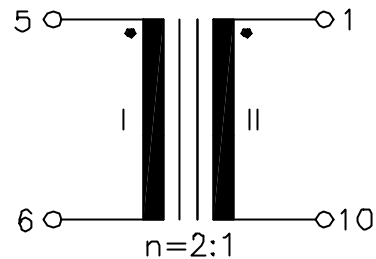
ISDN

UM MODEL NO.:	SPECIFICATION	REV.	
UT21138	U _{PO} -Interface Transformer	A1	98/47

Characteristic data:

f=192KHz
 RI ≈ 1.3Ω
 RII ≈ 0.7Ω
 Tu(amb) ≤ 60°C

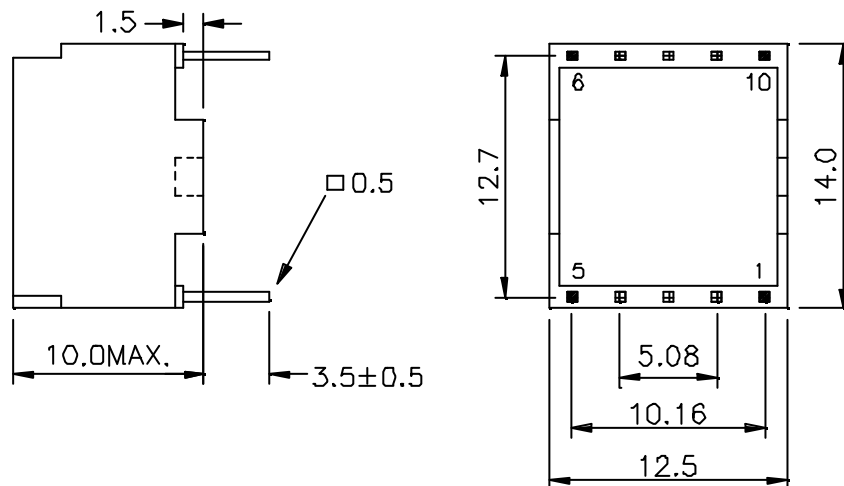
Schematic diagram:



Electrical Specification at 25°C:

- 1.) LII ≥ 12.5mH, at 10KHz 100mV
- 2.) Polarity and turns ratio tolerance: ±2%
- 3.) Ck ≤ 55pF, (NI to NII), at 10KHz 100mV
- 4.) Ls II ≤ 2.0uH, (NI shorted), at 100KHz 100mV
- 5.) HI-pot test:
 Up = 3.0KVrms, 2s (NI to NII)

Dimension:



Note: Specifications are subject to change without prior notice.

UNIT: mm

Tolerances ±0.2mm



UNIVERSAL MICROELECTRONICS CO.,LTD.
 TEL:886-4-23590096 FAX:886-4-23590129
<http://www.umec-web.com> Email:business@umec.com.tw

3,27TH RD.,TAICHUNG INDUSTRIAL PARK,
 TAICHUNG,TAIWAN,R.O.C

E10-013-C