

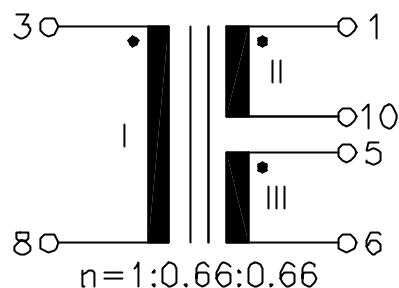
ISDN

UM MODEL NO.:	SPECIFICATION	REV.	
UT21139	U _{KO} -Interface Transformer	A1	98/47

Characteristic data:

f=60KHz
 RI ≈ 3.0Ω
 RII=RIII ≈ 2.0Ω
 I_{dc}=40mA
 T_{u(amb)} ≤ 60°C

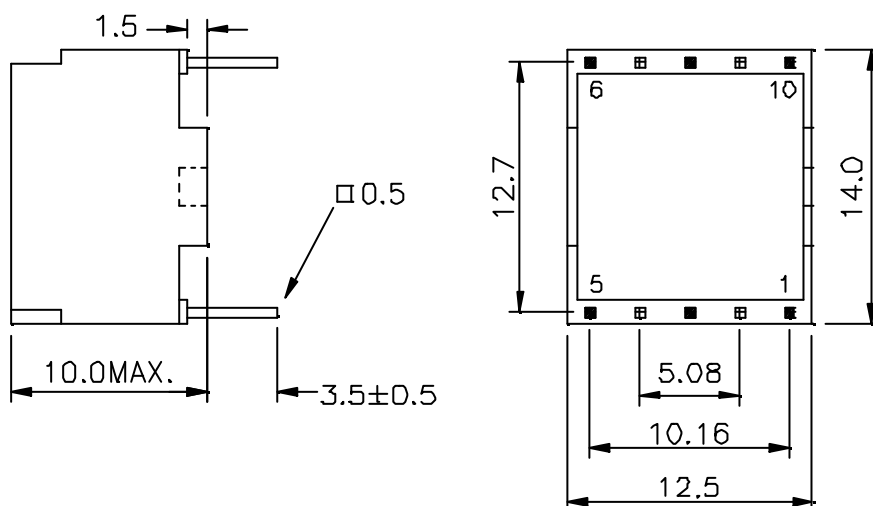
Schematic diagram:



Electrical Specification at 25°C:

- 1.) L_{II+III} ≥ 6.0mH, (NII+III series), at 10KHz 100mV with I_{dc}=40mA
- 2.) Polarity and turns ratio tolerance ±2%
- 3.) C_k ≤ 120pF, (NI to NII || NIII), at 10KHz 100mV
- 4.) L_{s II+III} ≤ 9uH, (NII+III series, NI shorted), at 100KHz 100mV
- 5.) HI-pot test:
 - Up=2.0KV_{rms}, 2s (NI to NII+NIII)
 - Up=0.5KV_{rms}, 2s (NII to NIII)

Dimension:



Note: Specifications are subject to change without prior notice.

UNIT: mm

Tolerances ±0.2mm

E10-013-C



UNIVERSAL MICROELECTRONICS CO.,LTD.
 TEL:886-4-23590096 FAX:886-4-23590129
 http://www.umec-web.com Email:business@umec.com.tw

3,27TH RD.,TAICHUNG INDUSTRIAL PARK,
 TAICHUNG,TAIWAN,R.O.C