

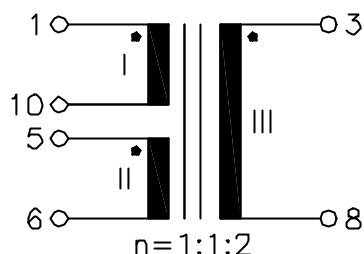
ISDN

UM MODEL NO.:	SPECIFICATION	REV.	
UT21141	S _{2M} -Interface Transformer	A3	06/46

Characteristic data:

f=50KHz...3.1MHz
 RI=RII ≈ 0.15Ω
 RIII ≈ 0.3Ω
 Tu(amb)≤60°C

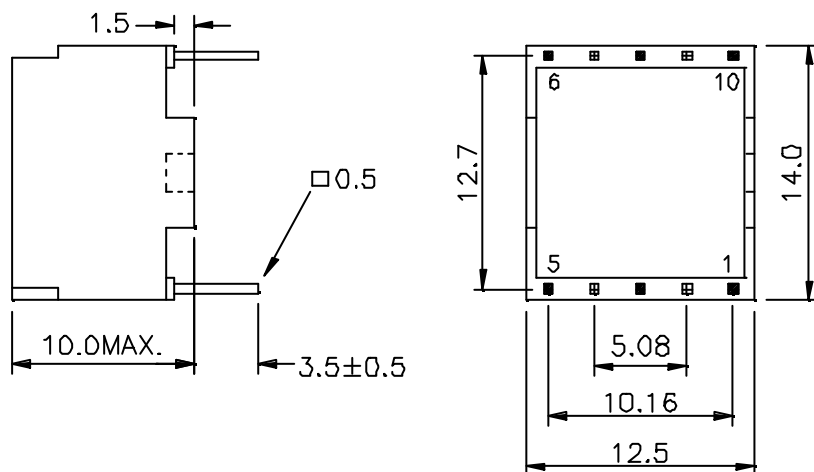
Schematic diagram:



Electrical Specification at 25°C:

- 1.) L_{III} ≥ 2mH, at 10KHz 100mV
- 2.) Polarity and turns ratio tolerance ±2%
- 3.) L_s I+II ≤ 1.0uH, (NI+II series, NI shorted), at 100KHz 100mV
- 4.) HI-pot test:
 Up=2.0KVrms, 2s(NIII to NI+NII)
 Up=0.5KVrms, 2s(NI to NII)

Dimension:



NOTE : 1. For RoHS compliant products:

- a.) UMEC Ordering Code: **TG-UT21141**
- b.) Date Code suffix to "G" (xxxxG).
- c.) Solder: Sn/Cu.

2. Specifications are subject to change without prior notice.

UNIT: mm

Tolerances ±0.2mm



UNIVERSAL MICROELECTRONICS CO.,LTD.
 TEL:886-4-23590096 FAX:886-4-23590129
<http://www.umec-web.com> Email:business@umec.com.tw

3,27TH RD.,TAICHUNG INDUSTRIAL PARK,
 TAICHUNG,TAIWAN,R.O.C

E10-013-C