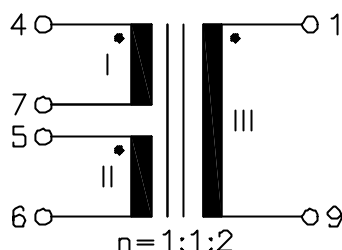


# ISDN

UM MODEL NO.:	SPECIFICATION	REV.	
UT21156	S <sub>2M</sub> -Interface Transformer	A1	98/47

Characteristic data:  
 $f=50\text{KHz}\dots 3.1\text{MHz}$   
 $R_I=R_{II} \approx 0.15\Omega$   
 $R_{III} \approx 0.3\Omega$   
 $T_u(\text{amb}) \leq 60^\circ\text{C}$

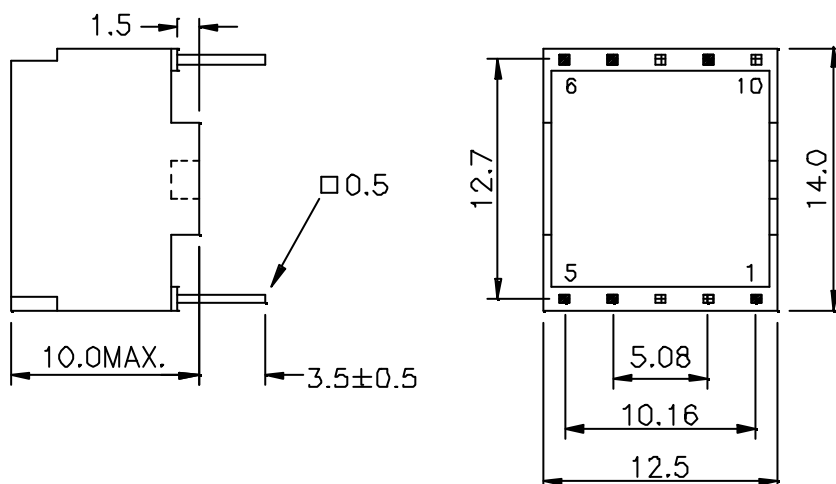
Schematic diagram:



Electrical Specification at 25°C:

- 1.)  $L_{III} \geq 2\text{mH}$ , at 10KHz 100mV
- 2.) Polarity and turns ratio tolerance  $\pm 2\%$
- 3.)  $C_k \leq 30\text{pF}$ , (N<sub>III</sub> to N<sub>I</sub>+ N<sub>II</sub>), at 10KHz 100mV
- 4.)  $L_s I = L_s II \leq 0.5\mu\text{H}$ , (N<sub>III</sub> shorted), at 100KHz 100mV
- 5.) HI-pot test:  
 $U_p = 2.0\text{KV}_{\text{rms}}, 2\text{s}$  (N<sub>III</sub> to N<sub>I</sub>+N<sub>II</sub>)  
 $U_p = 0.5\text{KV}_{\text{rms}}, 2\text{s}$  (N<sub>I</sub> to N<sub>II</sub>)

Dimension:



Note: Specifications are subject to change without prior notice.

UNIT: mm

Tolerances  $\pm 0.2\text{mm}$

