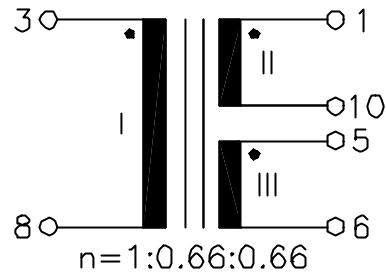


# ISDN

UM MODEL NO.:	SPECIFICATION	REV.	
UT21158	U <sub>KO</sub> -Interface Transformer	A1	98/47

Characteristic data:  
 $f=60\text{KHz}$   
 $R_I \approx 4.0\Omega$   
 $R_{II}=R_{III} \approx 2.7\Omega$   
 $I_{dc}=60\text{mA}$   
 $T_u(\text{amb}) \leq 60^\circ\text{C}$

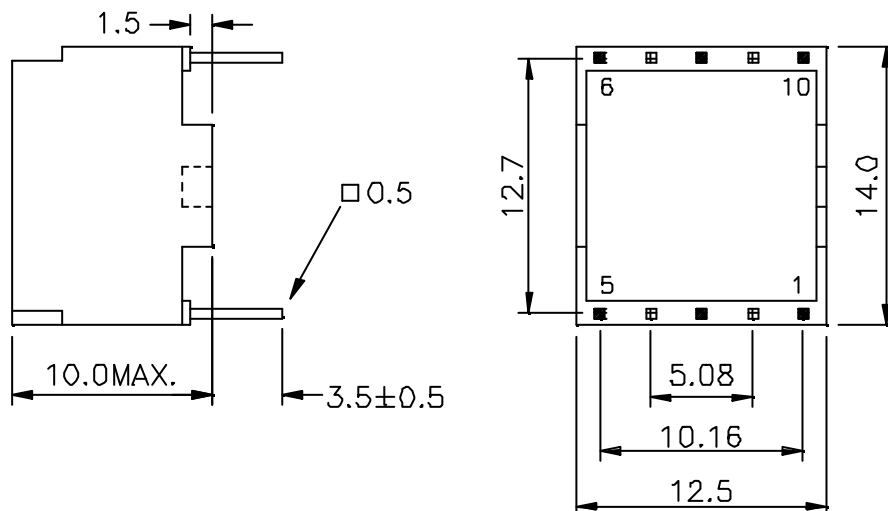
Schematic diagram:



Electrical specification at  $25^\circ\text{C}$ :

- 1.)  $L_{II+III}=6.35\text{mH} +12\%/-12\%$ , (NII+III series), at 10KHz 100mV with  $I_{dc}=60\text{mA}$
- 2.) Polarity and turns ratio tolerance  $\pm 2\%$
- 3.)  $C_k \leq 185\text{pF}$ , (NI to NII || NIII), at 10KHz 100mV
- 4.)  $L_{SII+III} \leq 9.0\mu\text{H}$ , (NII+III series, NI shorted), at 100KHz 100mV
- 5.) HI-pot test:  
 $U_p=2.0\text{KVrms}, 2\text{s}$  (NI to NII+NIII)  
 $U_p=0.5\text{KVrms}, 2\text{s}$  (NII to NIII)

Dimension:



Note: Specifications are subject to change without prior notice.

UNIT: mm

Tolerance:  $\pm 0.2\text{mm}$



UNIVERSAL MICROELECTRONICS CO.,LTD.  
 TEL:886-4-23590096 FAX:886-4-23590129  
<http://www.umec-web.com> Email:business@umec.com.tw

3,27TH RD.,TAICHUNG INDUSTRIAL PARK,  
 TAICHUNG,TAIWAN,R.O.C

E10-013-C