

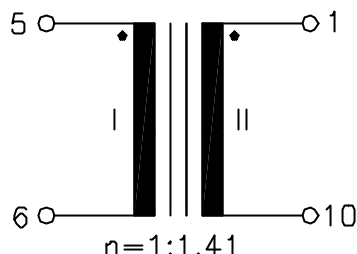
# ISDN

UM MODEL NO.:	SPECIFICATION	REV.	
UT21190	S <sub>2M</sub> -Interface Transformer	B2	98/47

**Characteristic data:**

f=50KHz...3.1MHz  
 RI ≈ 0.45Ω  
 RII ≈ 0.65Ω  
 Tu(amb) ≤ 60°C

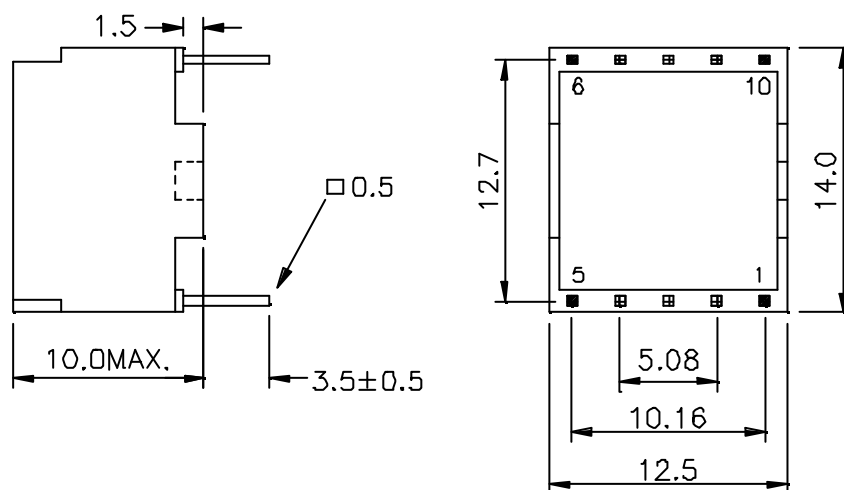
**Schematic diagram:**



**Electrical Specification at 25°C:**

- 1.) L<sub>II</sub> ≥ 4mH, at 10KHz 100mV
- 2.) Polarity and turns ratio tolerance ±2%
- 3.) L<sub>sII</sub> ≤ 1.0uH, (NI shorted), at 100KHz 100mV
- 4.) HI-pot test:  
 U<sub>p</sub> = 3.0KVrms, 2s (NI to NII)

**Dimension:**



Note: Specifications are subject to change without prior notice.

UNIT: mm

Tolerances ±0.2mm

E10-013-C



UNIVERSAL MICROELECTRONICS CO., LTD.  
 TEL: 886-4-23590096 FAX: 886-4-23590129  
<http://www.umec-web.com> Email: business@umec.com.tw

3,27TH RD., TAICHUNG INDUSTRIAL PARK,  
 TAICHUNG, TAIWAN, R.O.C