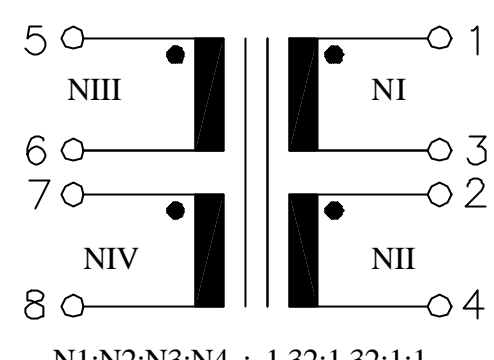
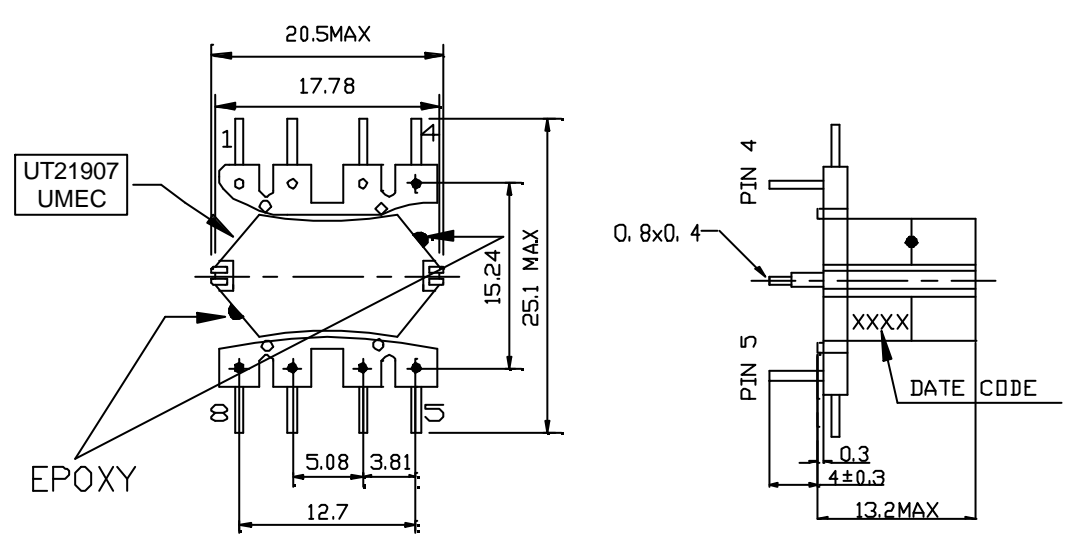


ISDN

UM MODEL NO.:	SPECIFICATION	REV.	
UT21907	U _{KO} -Interface Transformer	A0	96/41
<p>Characteristic data:</p> <p>f=60KHz</p> <p>RI+RII=3.8Ω(max.)</p> <p>RIII+RIV=3.8Ω(max.)</p> <p>Idc=60mA(max.)</p>		<p>Schematic Diagram:</p>  <p>N1:N2:N3:N4 : 1.32:1.32:1:1</p>	
<p>Electrical Specification at 25°C:</p> <ol style="list-style-type: none"> LI+LII=7.7mH±10%,(NI+NII series),at 10KHz,100mV Polarity and turns ratio tolerance: ±2% Ck≤45pF,(NI NII TO NIII NIV),at 10KHz,100mV Ls I+II≤40uH,(NI+NII series , NIII & NIV shorted),at 100KHz,100mV HI-pot test: Up=2.0KVrms,2s(NI to NIII+NIV ; NII TO NIII+NIV) 			
<p>Dimension:</p>  <p>NOTE: Specifications are subject to change without prior notice.</p> <p>UNIT: mm</p> <p style="text-align: right;">Tolerances: ±0.2mm</p>			

E10-013-C



UNIVERSAL MICROELECTRONICS CO.,LTD.
 TEL:886-4-23590096 FAX:886-4-23590129
<http://www.umec-web.com> Email:business@umec.com.tw

3,27TH RD.,TAICHUNG INDUSTRIAL PARK,
 TAICHUNG,TAIWAN,R.O.C