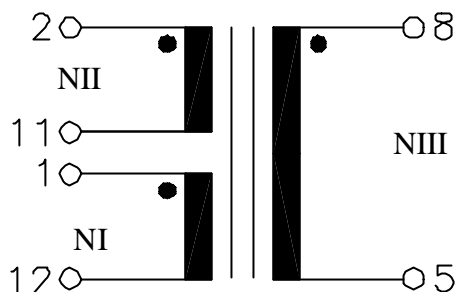


ISDN

UM MODEL NO.:	SPECIFICATION	REV.	
UT21924	U-Interface Transformer	A1	96/41

Characteristic data:
 $f=60\text{KHz}$
 $R_{I+II}=13.8\Omega(\text{max.})$
 $R_{III}=11.8\Omega(\text{max.})$
 $I_{dc}=80\text{mA}(\text{max.})$

Schematic diagram:

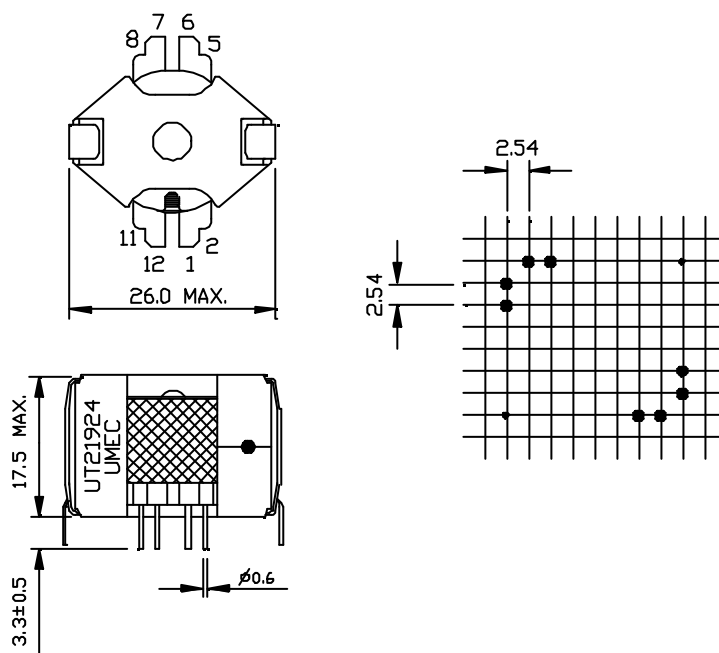


Turns Ratio : 1.5:1 (NI+NII:NIII)

Electrical Specification at 25°C:

- 1.) $L_{I+II}=82\text{mH}\pm 4\%$, (NI+NII series), at 1KHz, 100mV.
- 2.) Polarity and turns ratio tolerance $\pm 2\%$
- 3.) $L_s I+II \leq 160\mu\text{H}$ (NI+NII series, NIII shorted), at 25KHz 10mV
- 4.) Longitudinal balance $\geq 60\text{dB}$, at 1KHz to 4KHz 80mA DC.
- 5.) HI-pot test:
 $U_p=2.0\text{KVrms}, 1\text{mA } 2\text{sec}$, (NI+NII to NIII)

Dimension:



UNIT: mm
Tolerances $\pm 0.2\text{mm}$

NOTE: Specifications are subject to change without prior notice.

E10-013-C



UNIVERSAL MICROELECTRONICS CO.,LTD.
TEL:886-4-23590096 FAX:886-4-23590129
http://www.umec-web.com Email:business@umec.com.tw

3,27TH RD.,TAICHUNG INDUSTRIAL PARK,
TAICHUNG,TAIWAN,R.O.C