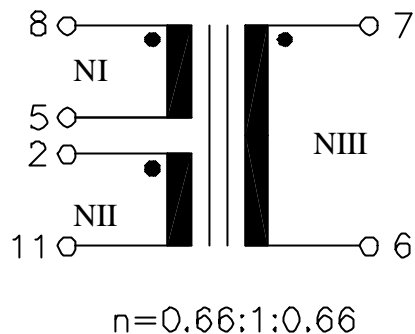


ISDN

UM MODEL NO.:	SPECIFICATION	REV.	
UT21942	U _{KO} -Interface Transformer	A0	96/41

Characteristic data:
 $f=40\text{KHz}$
 $R_{I+III} \approx 1.8\Omega$
 $R_{II} \approx 2.7\Omega$
 $I_{dc}=60\text{mA(max.)}$
 $T_{u(amb)} \leq 60^{\circ}\text{C}$

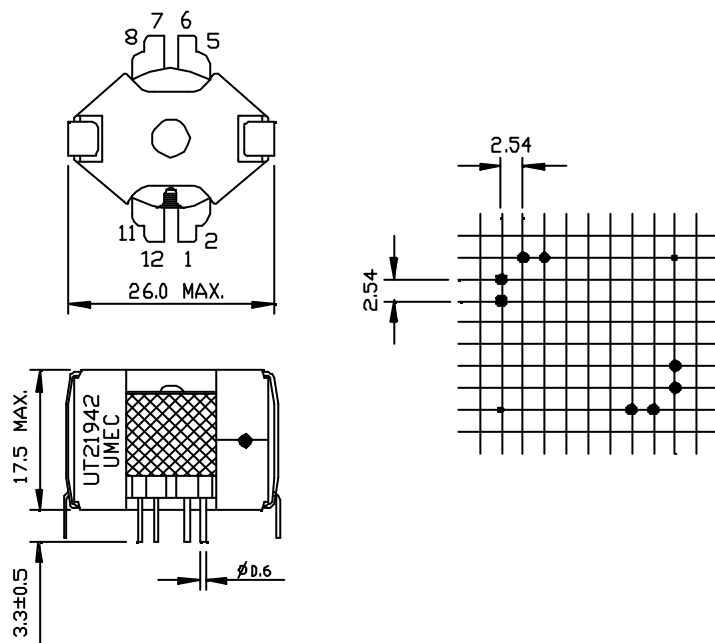
Schematic diagram:



Electrical Specification at 25°C:

- 1.) $L_{I+III}=14.5\text{mH} +10\%/-10\%$, (NI+III series), at 10KHz, 100mV
- 2.) Polarity and turns ratio tolerance: $\pm 2\%$
- 3.) $C_k \leq 60\text{pF}$, (NII to NI || NIII), at 10KHz, 100mV
- 4.) $L_s I+III \leq 55\mu\text{H}$, (NI+III series, NII shorted), at 100KHz, 100mV
- 5.) HI-pot test:
 $U_p=2.0\text{KVrms}, 2\text{s}$ (NII to NI+NIII)
 $U_p=0.5\text{KVrms}, 2\text{s}$ (NI to NIII)

Dimension:



UNIT: mm

NOTE: Specifications are subject to change without prior notice.

Tolerances: $\pm 0.2\text{mm}$

