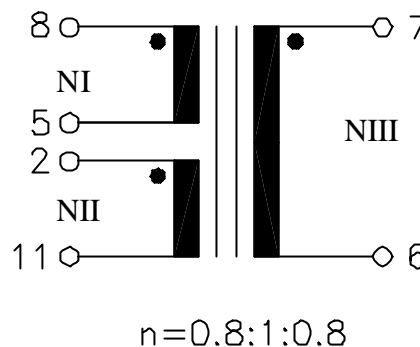


ISDN

UM MODEL NO.:	SPECIFICATION	REV.	
UT21954	U _{KO} -Interface Transformer	A0	96/41

Characteristic data:
 $f=40\text{KHz}$
 $R_{I+III} \approx 2.7\Omega$
 $R_{II} \approx 2.8\Omega$
 $I_{dc} = 60\text{mA (max.)}$
 $T_u(\text{amb}) \leq 60^\circ\text{C}$

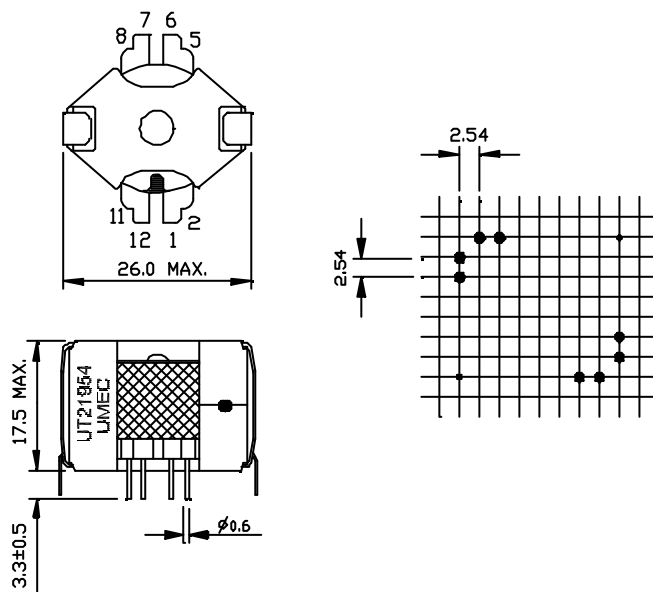
Schematic diagram:



Electrical Specification at 25°C:

- 1.) $L_{I+III} = 14.5\text{mH} \pm 10\% / -10\%$, (N I+III series), at 10KHz, 100mV
- 2.) Polarity and turns ratio tolerance: $\pm 2\%$
- 3.) $C_k \leq 100\text{pF}$, (NII to NI || NIII), at 10KHz, 100mV
- 4.) $L_s I+III \leq 90\mu\text{H}$, (NI+III series, NII shorted), at 100KHz, 100mV
- 5.) HI-pot test:
 $U_p = 2.0\text{KVrms}, 2\text{s}$ (NII to NI+NIII)
 $U_p = 0.5\text{KVrms}, 2\text{s}$ (NI to NIII)

Dimension:



UNIT: mm
Tolerances: $\pm 0.2\text{mm}$

NOTE: Specifications are subject to change without prior notice.

E10-013-C



UNIVERSAL MICROELECTRONICS CO.,LTD.
TEL: 886-4-23590096 FAX: 886-4-23590129
<http://www.umec-web.com> Email: business@umec.com.tw

3,27TH RD., TAICHUNG INDUSTRIAL PARK,
TAICHUNG, TAIWAN, R.O.C