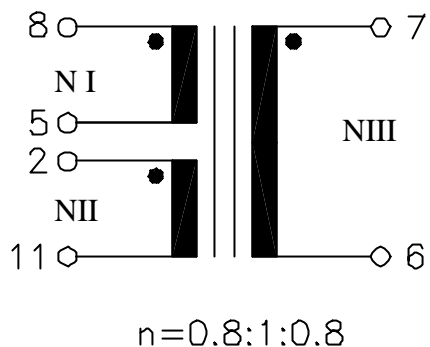


ISDN

UM MODEL NO.:	SPECIFICATION	REV.	
UT21958	U-Interface Transformer	A1	96/40

Characteristic data:
 $f=40\text{KHz}$
 $R_{I+R_{III}} \approx 2.7\Omega$
 $R_{II} \approx 2.8\Omega$
 $I_{dc}=60\text{mA(max.)}$
 $T_u(\text{amb}) \leq 60^\circ\text{C}$

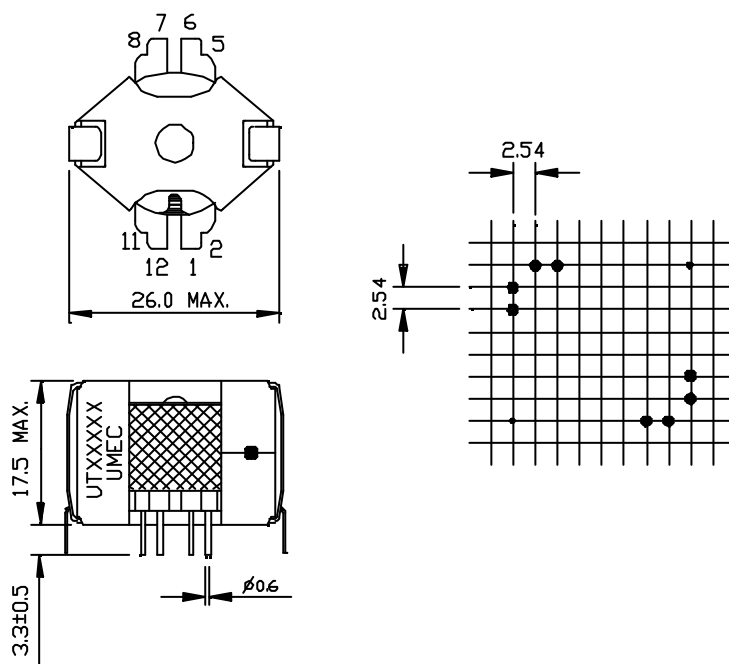
Schematic diagram:



Electrical Specification at 25°C :

- 1.) $L_{I+L_{III}}=14.5\text{mH} \pm 10\%$, (N I+NIII series), at 10KHz, 100mV
- 2.) Polarity and turns ratio tolerance: $\pm 2\%$
- 3.) $C_k \leq 90\text{pF}$, (NII TO NI || NIII), at 10KHz, 100mV
- 4.) $L_{s I+III} \leq 100\mu\text{H}$, (N I+NIII series , NII shorted), at 100KHz, 100mV
- 5.) $|\Delta R| = |R_I - R_{III}| \leq 80\text{m}\Omega$
- 6.) HI-pot test:
 $U_p=2.5\text{KVrms}, 2\text{s}$, (NII to NI+NIII)
 $U_p=0.5\text{KVrms}, 2\text{s}$, (N I to NIII)

Dimension:



UNIT: mm
Tolerances: $\pm 0.2\text{mm}$

NOTE: Specifications are subject to change without prior notice.

