

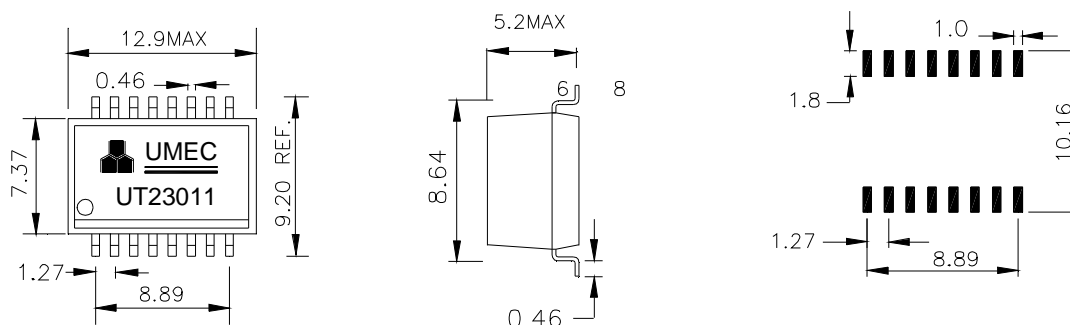
DATA SHEET

UM MODEL NO.:	SPECIFICATIONS	REV.	1/1
UT23011	TRANSFORMERS	A2	00/25

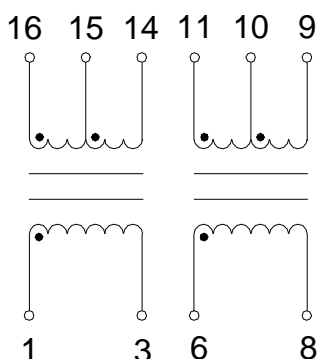
ELECTRICAL SPECIFICATIONS AT 25 °C :

1. TURNS RATIO : 1:2.42CT±3% AT 15.75KHz 1Vrms.PIN(1-3):(16-15-14)
1:2.42CT±3% AT 15.75KHz 1Vrms.PIN(6-8):(11-10-9)
2. PRI. INDUCTANCE : 1.5mH Typ. AT 100KHz 20mVrms.
3. INTERWINDING CAPACITANCE : 35pF Max. AT 100KHz 1Vrms.
4. LEAKAGE INDUCTANCE : 0.5uH Max. AT 100KHz 1Vrms.
5. PRI. D.C.RESISTANCE : 0.8Ω Max.
6. HI-POT : 1500Vrms/2sec. LEAKAGE CURRENT 0.5mA Max. PRI. TO SEC.
7. CROSSTALK : -65dB Typ. AT 0.5~5MHz
8. PRI. PINS : 1-3 , 6-8
9. OPERATING TEMPERATURE : -40°C TO +85°C.

DIMENSIONS & SCHEMATICS:



XX = ±.25mm



- NOTE: 1.PACKAGING INFORMATION-TAPE AND REEL
ACCORDING TO ITEM NO. "SO16" OF DATA SHEET 01-00
2.Specifications are subject to change without prior notice.

E10-007-C



UNIVERSAL MICROELECTRONICS CO.,LTD.
TEL:886-4-23590096 FAX:886-4-23590129
<http://www.umec-web.com> E-mail:business@umec.com.tw

3,27TH RD.,TAICHUNG INDUSTRIAL PARK,
TAICHUNG,TAIWAN,R.O.C