

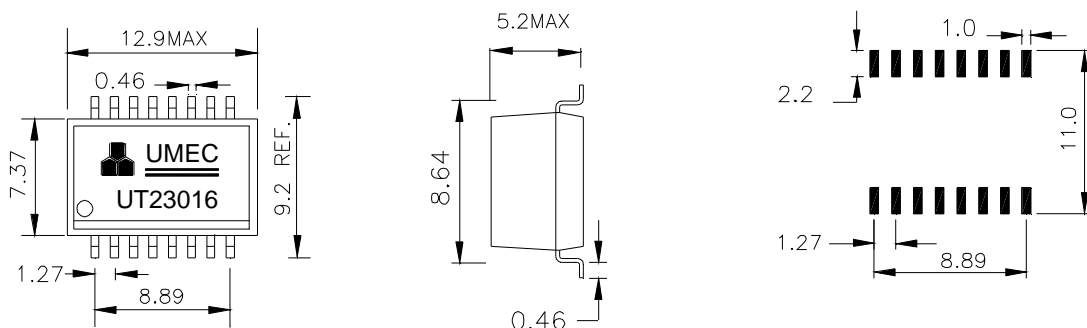
# DATA SHEET

UM MODEL NO.:	SPECIFICATIONS	REV.	
UT23016	DOUBLE IMPEDANCE MATCHING LINE INTERFACE TRANSFORMERS	A2	00/25

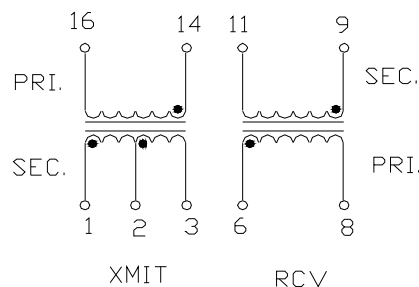
## ELECTRICAL SPECIFICATIONS AT 25 °C :

1. TURNS RATIO :1.26:1CT & 1:1.26±5% AT 15.75KHz 1Vrms.
2. PRI. INDUCTANCE : 1.0 mH min. AT 10KHz 20mVrms.
3. INTERWINDING CAPACITANCE : 30 pF max. AT 100KHz 1Vrms.
4. LEAKAGE INDUCTANCE : 0.5 uH MAX. AT 100KHz 1Vrms.
5. D.C.RESISTANCE : 1.4Ω MAX. XMIT PRI. WINDINGS.  
1.0Ω MAX. RCV PRI. WINDINGS.  
1.0Ω MAX. XMIT SEC. WINDING.  
1.4Ω MAX. RCV SEC. WINDING.
6. HI-POT : 1500Vrms/2SEC. LEAKAGE CURRENT 0.5mA MAX. PRI. TO SEC.
7. PRI. PINS : 14-16, 6-8
8. OPERATING TEMPERATURE RANGE IS -40°C TO +85°C.

## DIMENSIONS & SCHEMATICS:



XX= ±.25mm



- NOTE: 1.PACKAGING INFORMATION-TAPE AND REEL  
ACCORDING TO ITEM NO. "SO16" OF DATA SHEET 01-00  
2.Specifications are subject to change without prior notice.

E10-007-C



UNIVERSAL MICROELECTRONICS CO.,LTD.  
TEL:886-4-23590096 FAX:886-4-23590129  
<http://www.umec-web.com> E-mail:business@umec.com.tw

3,27TH RD.,TAICHUNG INDUSTRIAL PARK,  
TAICHUNG,TAIWAN,R.O.C