

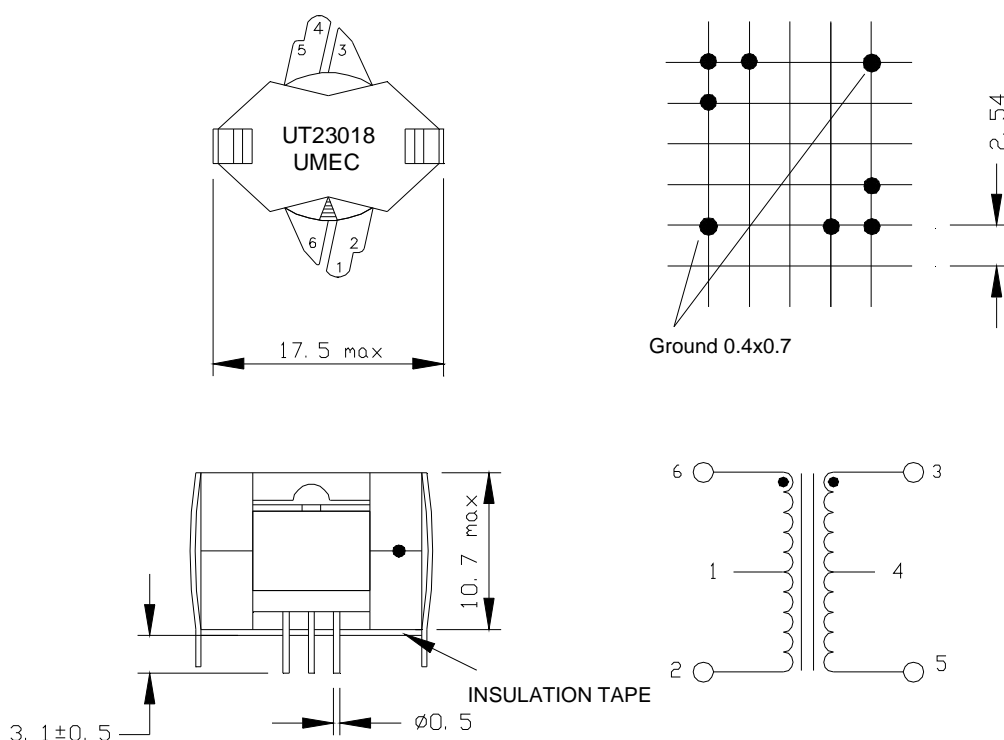
DATA SHEET

UM MODEL NO.:	SPECIFICATIONS	REV.	
UT 23018	T1 INTERFACE TRANSFORMERS	A2	00/53

ELECTRICAL SPECIFICATIONS AT 25°C

1. INDUCTANCE : 3.78~10.50mH AT 20KHz 0.1V, PIN(6-2)
2. TURNS RATIO : 1CT : 1CT±1% AT 15.75KHz 1V PIN(6-1-2):(3-4-5)
3. HI-POT : 1KVdc 0.5mA 1min. WINDING TO WINDING AND WINDING TO CORE
4. LONGITUDINAL BALANCE : 40dB Min. AT 4KHz PIN(2-6)
5. LEAKAGE INDUCTANCE : 2μH Max. AT 100KHz 1V PIN(6-2):(3-5) shorted
6. Cw/w : 25pF Max. AT 100KHz 1V PIN(6-2):(3-5)

DIMENSIONS & SCHEMATICS



NOTE: Specifications are subject to change without prior notice.

UNIT : mm

E10-007-C



UNIVERSAL MICROELECTRONICS CO.,LTD.
 TEL:886-4-23590096 FAX:886-4-23590129
<http://www.umec-web.com> E-mail:business@umec.com.tw

3,27TH RD.,TAICHUNG INDUSTRIAL PARK,
 TAICHUNG,TAIWAN,R.O.C