

DATA SHEET

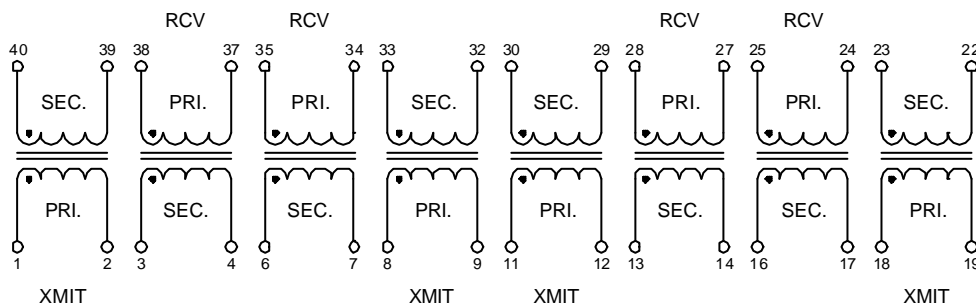
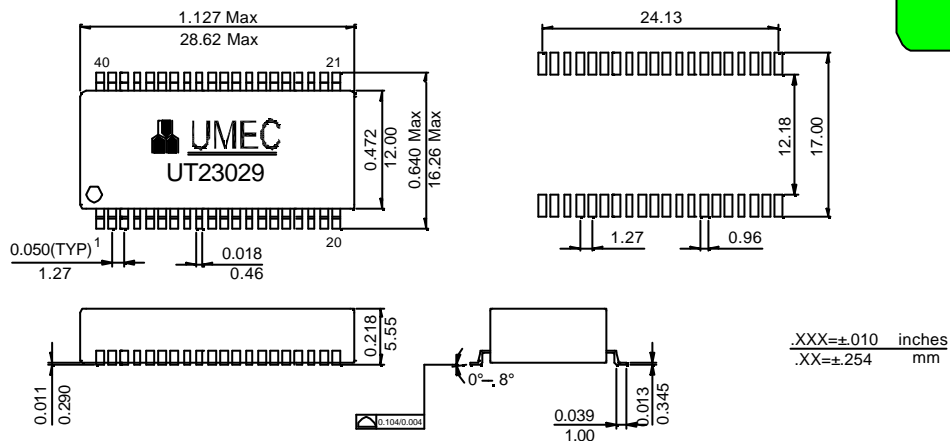
UM MODEL NO.:	SPECIFICATIONS	REV.	1/1
UT23029	T1/E1/CEPT/ISDN-PRI TRANSFORMERS	D2	05/43

ELECTRICAL SPECIFICATIONS AT 25 °C :

- XMIT TURNS RATIO :1:2.4±2% AT 15.75KHz 1Vrms.,
RCV TURNS RATIO : 1:1±2% AT 15.75KHz 1Vrms.,
- PRI. INDUCTANCE : 1.5 mH min. AT 10KHz 20mVrms.
- INTERWINDING CAPACITANCE : 35 pF max. AT 100KHz 1Vrms.
- LEAKAGE INDUCTANCE : 0.5 uH max. AT 100KHz 1Vrms.
- DC RESISTANCE : 0.8 Ω max., XMIT & RCV
- HI-POT : 1500Vrms/2SEC. LEAKAGE CURRENT 0.5mA Max. PRI. TO SEC.
- PRI. PINS : XMIT (1-2),(8-9),(11-12),(18-19)
RCV (24-25),(27-28),(34-35),(37-38)

APPROVED By UL 1950 , UL FILE NO. E212730.

DIMENSIONS & SCHEMATIC:



- NOTE : 1. Packaging Information-Tape And Reel According To Item No. "SO40" Of Data Sheet 01-00
 2. For RoHS compliant products:
 a.) The UMEC ordering code: **TG-UT23029**
 b.) Date Code suffix to "G" (xxxxG).
 c.) Solder : Sn/Ag/Cu .
 3. Specifications are subject to change without prior notice.

