

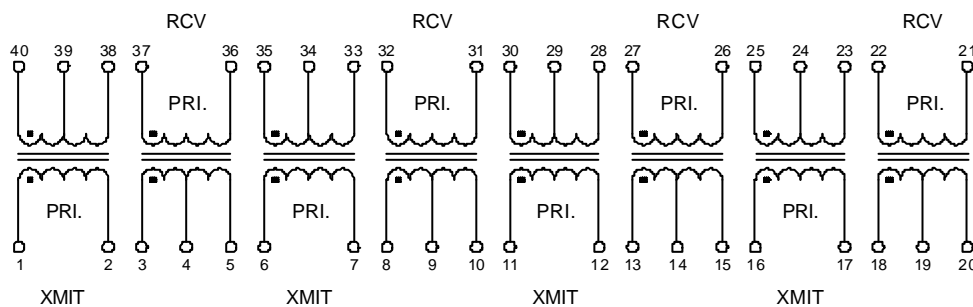
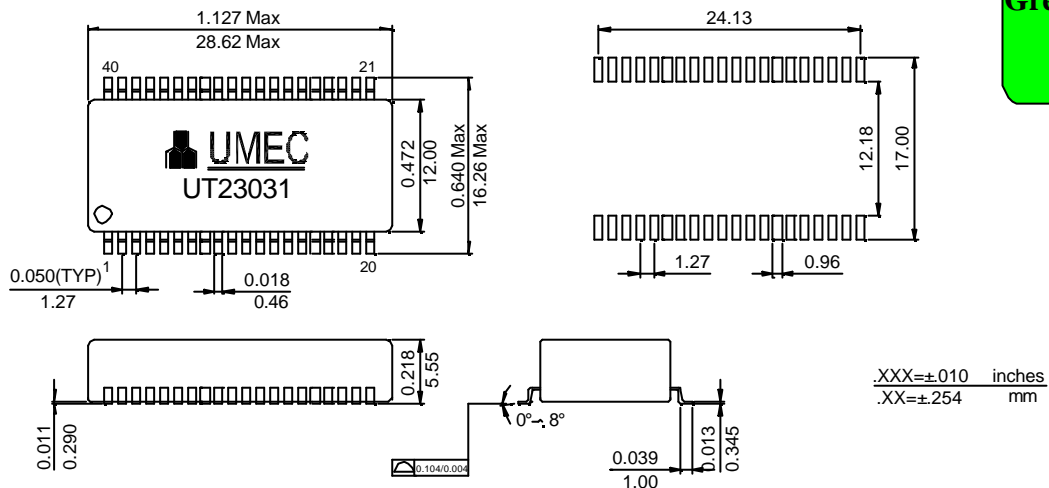
# DATA SHEET

UM MODEL NO.:	SPECIFICATIONS	REV.	1/1
UT23031	T1/E1/CEPT/ISDN-PRI TRANSFORMERS	A4	05/44

## ELECTRICAL SPECIFICATIONS AT 25 °C :

- XMIT TURNS RATIO : 1:2CT±2% AT 15.75KHz 1Vrms.  
RCV TURNS RATIO : 1:1CT±2% AT 15.75KHz 1Vrms.
- PRI. INDUCTANCE : 1.2 mH min. AT 10KHz 20mVrms.
- INTERWINDING CAPACITANCE : 35 pF max. AT 100KHz 1Vrms.
- LEAKAGE INDUCTANCE : 0.6 uH max. AT 100KHz 1Vrms.
- PRI. DC RESISTANCE : 0.6 Ω max.
- HI-POT : 1500Vrms/2SEC. LEAKAGE CURRENT 0.5mA max. PRI. TO SEC.
- OPERATION TEMPERATURE RANGE: -40 °C TO +85 °C

## DIMENSIONS & SCHEMATIC:



- NOTE : 1. Packaging Information-Tape And Reel According To Item No. "SO40" Of Data Sheet 01-00
- For RoHS compliant products:
    - The UMEC ordering code: **TG-UT23031**
    - Date Code suffix to "G" (xxxxG).
    - Solder : Sn/Ag/Cu .
  - Specifications are subject to change without prior notice.

E10-007-C



UNIVERSAL MICROELECTRONICS CO.,LTD.  
 TEL:886-4-23590096 FAX:886-4-23590129  
 http://www.umec-web.com Email:business@umec.com.tw

3,27TH RD.,TAICHUNG INDUSTRIAL PARK,  
 TAICHUNG,TAIWAN,R.O.C