

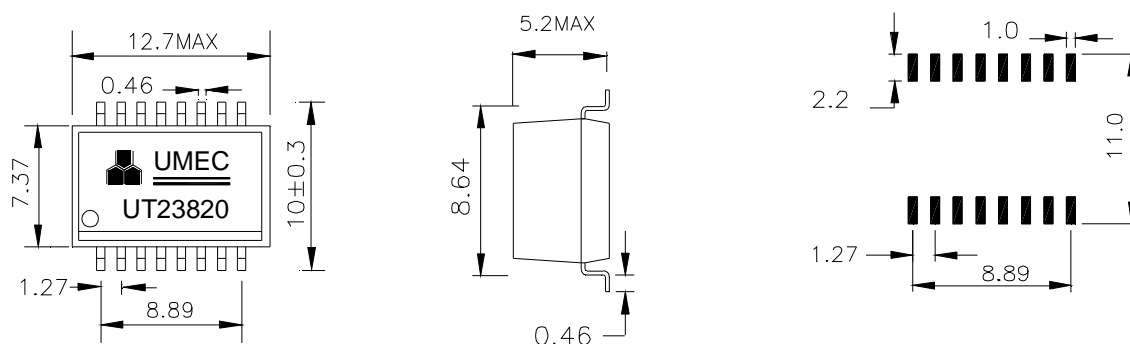
DATA SHEET

UM MODEL NO.:	SPECIFICATION	REV.	
UT23820	T1/CEPT TELECOM LINE INTERFACE TRANSFORMERS	A2	99/24

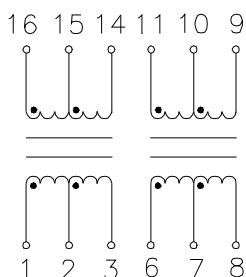
ELECTRICAL SPECIFICATIONS AT 25 °C :

1. TURNS RATIO : 1CT:1CT±5% AT 15.75KHz 1Vrms.
2. PRI. INDUCTANCE : 1.2 mH min. AT 10KHz 20mVrms.
3. INTERWINDING CAPACITANCE : 30 pF max. AT 100KHz 1Vrms.
4. LEAKAGE INDUCTANCE : 0.6 uH MAX. AT 100KHz 1Vrms.
5. D.C.RESISTANCE : 0.7 Ω MAX. EACH WINDINGS.
6. HI-POT : 2000Vrms/2SEC. LEAKAGE CURRENT 0.5mA MAX. PRI. TO SEC.
7. PRI. PINS : 16-14, 6-8

DIMENSIONS & SCHEMATICS:



XX= ±.25mm



- NOTE: 1.PACKAGING INFORMATION-TAPE AND REEL
 ACCORDING TO ITEM NO. "SO16L" OF DATE SHEET 01-00
 2.Specifications are subject to change without prior notice.

