

# 10 BASE-T ANALOG INTERFACE DUAL ISOLATION AND FILTER MODULE

MODEL NO. UT24331~~~~TRANSFORMER & FILTER & COMMON MODE CHOKE NETWORK~~~~

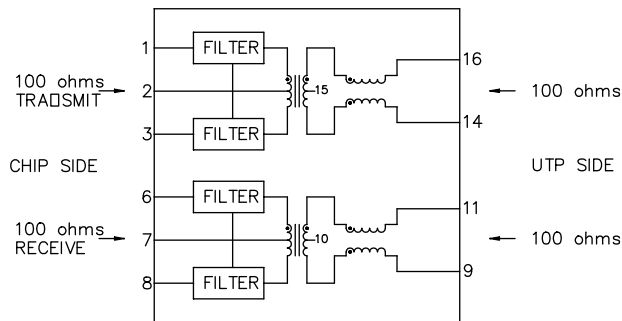
## ELECTRICAL SPECIFICATIONS AT 25°C

- |  |   |
|--|---|
| *Cut-off frequency: 17+/- .7MHz                    | *Primary Inductance: 180uH min.               |
| *Insertion loss to 10MHz: 1.0dB max.               | *Return loss to 10MHz: 20dB min(at 100 Ohms). |
| *Attenuation at 30MHz:                             | 18dB min(at 98+/-13 Ohms).                    |
| Transmit Filter: 32dB min.                         | *Cross talk to 100MHz: 40dB min.              |
| Receive Filter: 20dB min.                          | *Group delay, 5 to 10MHz: 4.0ns max.          |
| *I/O Impedance: 100 Ohms                           | *Pri-Sec Isolation: 2000Vrms for 1 minute     |
| *Isolation, Input to Output: 2000Vrms for 1 minute |   |

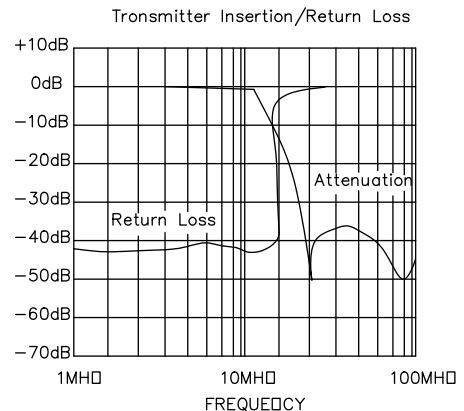
## COMMON MODE CHOKE ELECTRONICS SPECIFICATION

- |                                  |                                      |
|----------------------------------|--------------------------------------|
| *Turn ratio: 1:1:1:1             | *Leakage Inductance Ls: 0.3uH max.   |
| *Primary Inductance Lp: 27+/-9uH | *Primary Capacitance Cw/w: 25pf max. |

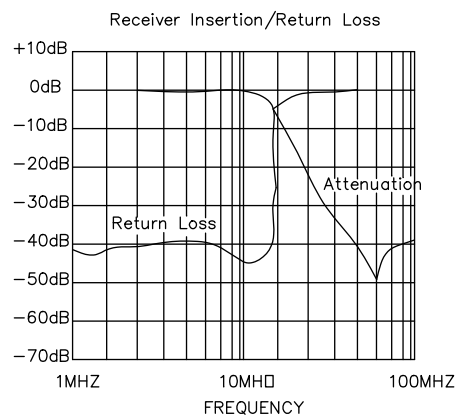
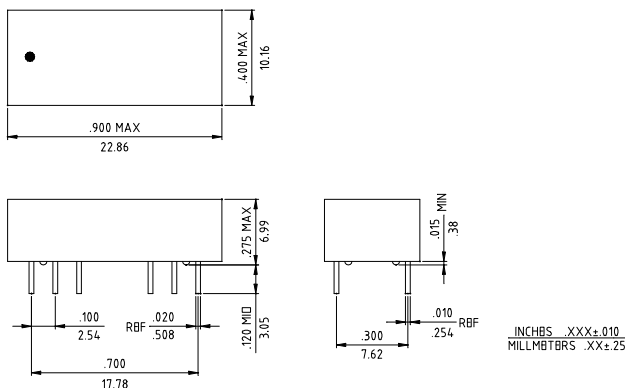
## SCHEMATIC DIAGRAMS:



## TYPICAL GRAPHS:



## PACKAGE DIMENSIONS:



11111111111111



**3,27TH RD., TAICHUNG INDUSTRIAL PARK,  
TAICHUNG, TAIWAN, R.O.C.  
TEL : 886-4-3590096 FAX : 886-4-3590129**

AUG , 1998