

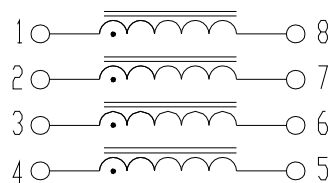
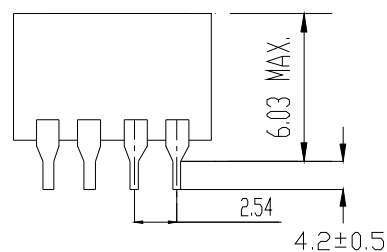
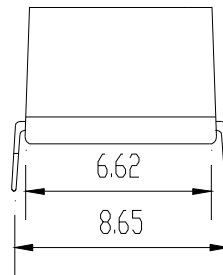
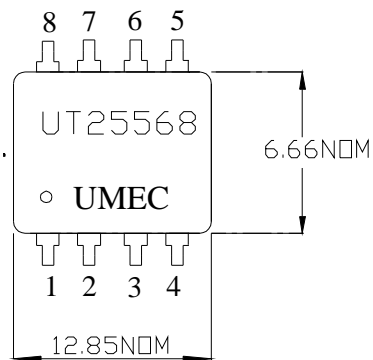
DATA SHEET

UM MODEL NO.:	SPECIFICATION	REV.	
UT25568	Miniature Common Mode Interface Chokes	A0	98/46

Electrical specifications at 25⁰C

1. Inductance : 0.47mH±35% at 100KHz 20mV , each windings
2. Leakage Inductance : 0.5μH Max. at 100KHz 1V , Pin(1-8):(2-3-4-5-6-7) shorted
3. D.C. Resistance : 250mΩ Max. each windings
4. Hi-pot : 0.5KVrms 0.5mA 2sec. windings to windings

Dimensions & Schematics



Note: Specifications are subject to change without prior notice.

Unit : mm

