

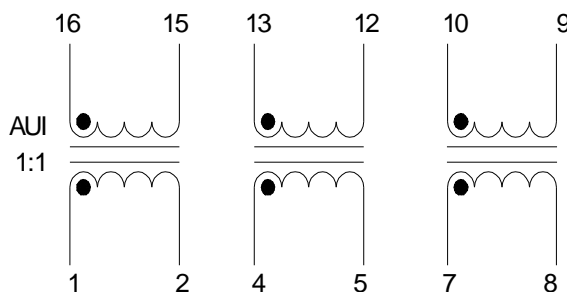
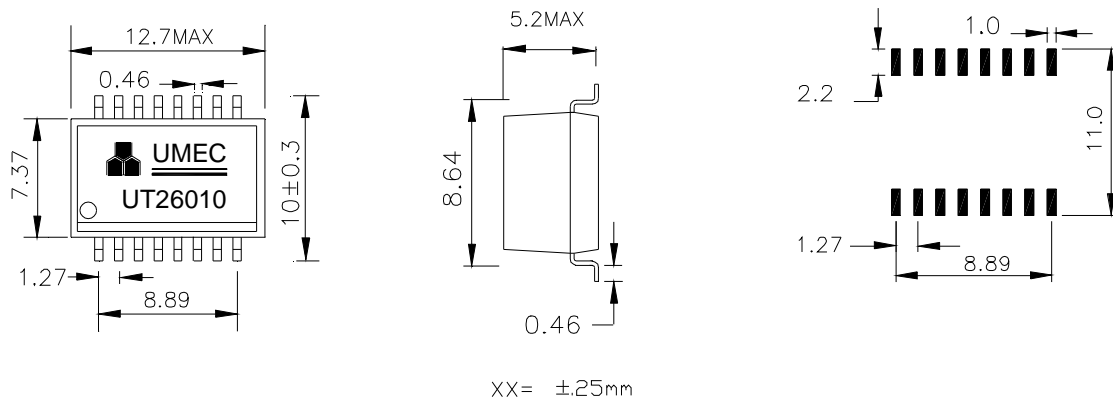
DATA SHEET

UM MODEL NO.:	SPECIFICATION	REV.	
UT26010	ISOLATION TRANSFORMERS FOR ETHERNET(AUI TRANSFORMERS)	A4	02/30

ELECTRICAL SPECIFICATIONS AT 25 °C :

1. TURNS RATIO : 1:1±5% AT 15.75KHz 1Vrms.
2. PRI. INDUCTANCE : 350 uH +25%/-20% AT 100KHz 20mVrms, 25°C
115uH MIN. AT 100KHz 20mVrms, -25°C
3. PRI. ET-CONSTANT : 3.0 V-uSEC. MIN. at -25°C & 25°C
2.0 V-uSEC. MIN. at 90°C
4. RISE TIME : 3.5 nSEC. MAX.
5. INTERWINDING CAPACITANCE : 16 pF MAX. AT 100KHz 20mVrms.
6. LEAKAGE INDUCTANCE : 0.3 uH MAX. AT 100KHz 20mVrms.
7. D.C.RESISTANCE : 0.35 Ω MAX. EACH WINDINGS.
8. HI-POT : 2000Vrms/2SEC. LEAKAGE CURRENT 0.5mA MAX. PRI. TO SEC.

DIMENSIONS & SCHEMATICS:



- NOTE: 1.PACKAGING INFORMATION-TAPE AND REEL
ACCORDING TO ITEM NO. "SO16L" OF DATA SHEET 01-00
2.Specifications are subject to change without prior notice.

E10-007-C



UNIVERSAL MICROELECTRONICS CO.,LTD.
TEL:886-4-23590096 FAX:886-4-23590129
<http://www.umec-web.com> E-mail:business@umec.com.tw

3,27TH RD.,TAICHUNG INDUSTRIAL PARK,
TAICHUNG,TAIWAN,R.O.C