

# DATA SHEET

UM MODEL NO.:	SPECIFICATIONS	REV.	
UT26014	10 BASE-T ISOLATION TRANSFORMERS	A5	05/46

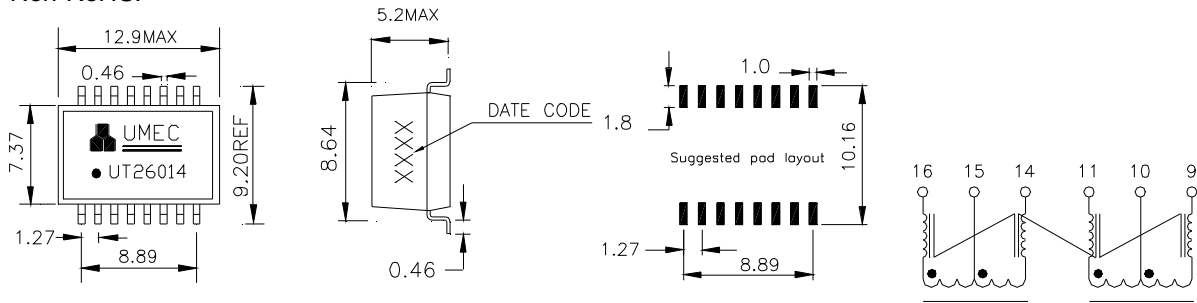
## ELECTRICAL SPECIFICATIONS AT 25 °C:

1. TURNS RATIO: 1CT:2CT±5% AT 15.75KHz 1Vrms.PIN(6-7-8):(11-10-9)  
1CT:1CT±5% AT 15.75KHz 1Vrms.PIN(1-2-3):(16-15-14)
2. PRI. INDUCTANCE: 140uH min. AT 100KHz 20mVrms.
3. INTERWINDING CAPACITANCE: 12 pF Max. AT 100KHz 1Vrms.
4. LEAKAGE INDUCTANCE: 0.3 uH Max. AT 100KHz 1Vrms.
5. D.C.RESISTANCE: 0.4 Ω Max. PIN (1-3),(6-8)
6. D.C.RESISTANCE: 0.8 Ω Max. PIN (11-9),(16-14).
7. COMMON MODE CHOKE INDUCTANCE: 80uH Min.EACH WINDINGS.
8. HI-POT: 2000Vrms/2SEC. LEAKAGE CURRENT 0.5mA Max. PRI. TO SEC.
9. PRI. PINS: 6-8, 1-3

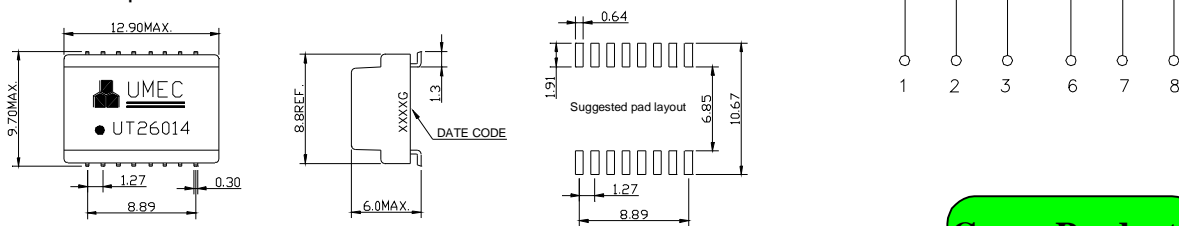
Note: The design meet IEC950 request, in TNV-1 to SELV circuit or TNV-3 to TNV-2 circuit Applications

## DIMENSIONS & SCHEMATICS:

### Non-RoHS:



### RoHS Compliant:



Coplanarity:0.1mm Tolerance:±0.25mm



- NOTE :
1. Packaging Information:
    - a.) Non-RoHS : Tape and Reel according to Item NO.“SO16 ” of data sheet 01-00
    - b.) RoHS compliant: Tape and Reel according to Item NO.“SO16A ” of data sheet 01-00
  2. For RoHS compliant products:
    - a.) The UMEC ordering code: TG-UT26014
    - b.) Date Code suffix to “G” for Green Product(XXXXG).
    - c.) Solder : Sn/Ag/Cu .
  3. Specifications are subject to change without prior notice.

