

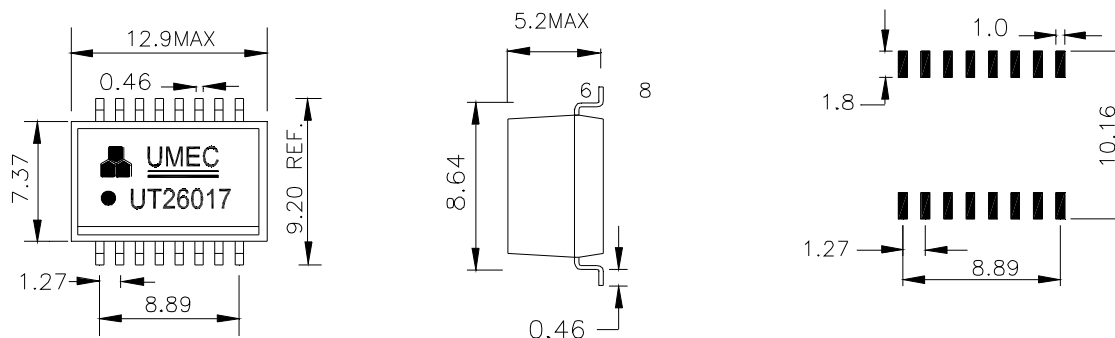
# DATA SHEET

|               |                                  |      |       |
|---------------|----------------------------------|------|-------|
| UM MODEL NO.: | SPECIFICATIONS                   | REV. |       |
| UT26017       | 10 BASE-T ISOLATION TRANSFORMERS | A1   | 00/25 |

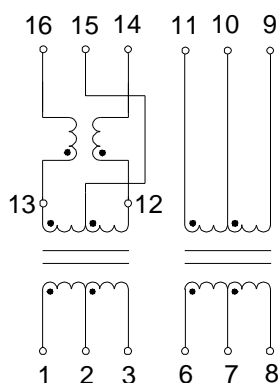
## ELECTRICAL SPECIFICATIONS AT 25 °C :

1. TURNS RATIO : 1CT:2CT±5% AT 15.75KHz 1Vrms. PIN(1-2-3):(16-15-14)  
1CT:1CT±5% AT 15.75KHz 1Vrms. PIN(6-7-8):(11-10-9)
2. PRI. INDUCTANCE: 200uH Min. AT 100KHz 20mVrms.
3. INTERWINDING CAPACITANCE: 12 pF Max. AT 100KHz 1Vrms.
4. LEAKAGE INDUCTANCE: 0.3 uH Max. AT 100KHz 1Vrms.
5. D.C.RESISTANCE : 1.0Ω Max.
6. HI-POT: 1500Vrms/2sec. LEAKAGE CURRENT 0.5mA Max. PRI. TO SEC.
7. PRI. PINS : 6-8, 1-3

## DIMENSIONS & SCHEMATICS:



XX= ±.25mm



- NOTE: 1.PACKAGING INFORMATION-TAPE AND REEL  
ACCORDING TO ITEM NO. "SO16" OF DATA SHEET 01-00  
2.Specifications are subject to change without prior notice.

E10-007-C



UNIVERSAL MICROELECTRONICS CO.,LTD.  
TEL:886-4-23590096 FAX:886-4-23590129  
<http://www.umec-web.com> E-mail:business@umec.com.tw

3,27TH RD.,TAICHUNG INDUSTRIAL PARK,  
TAICHUNG,TAIWAN,R.O.C