

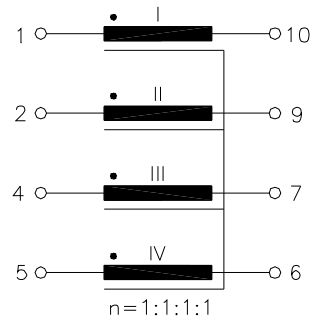
ISDN

UM MODEL NO.:	SPECIFICATION	REV.	
UT28103-A	PCMCIA For Data Lines Choke	A4	00/45

Characteristic data:

RI ~ IV ≈ 0.89Ω
 In = 150mA
 Tu(amb) ≤ 60°C

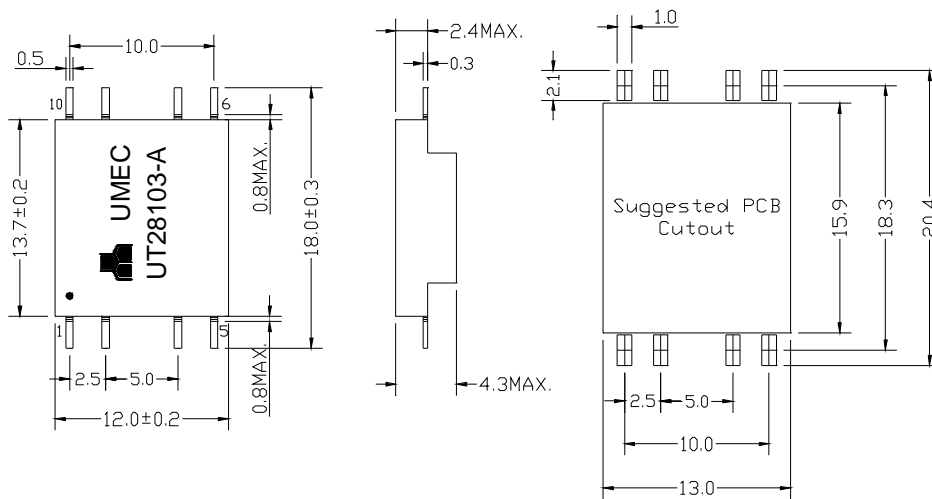
Schematic diagram:



Electrical Specification at 25°C:

- 1.) L = 4.7mH +50%/-30%, at 50KHz 50mV
- 2.) Polarity and turns ratio tolerance: ±1%
- 3.) HI-pot test:
 Up = 0.5KVrms, 2s (Winding to Winding)

Dimension:



- Note: 1. Packaging information-tape and reel according to item no. "pcmcia" of data sheet 01-00
 2. Specifications are subject to change without prior notice.

UNIT: mm

Tolerances: ±0.2mm

E10-013-C



UNIVERSAL MICROELECTRONICS CO.,LTD.
 TEL: 886-4-23590096 FAX: 886-4-23590129
<http://www.umec-web.com> E-mail: business@umec.com.tw

3,27TH RD., TAICHUNG INDUSTRIAL PARK,
 TAICHUNG, TAIWAN, R.O.C