

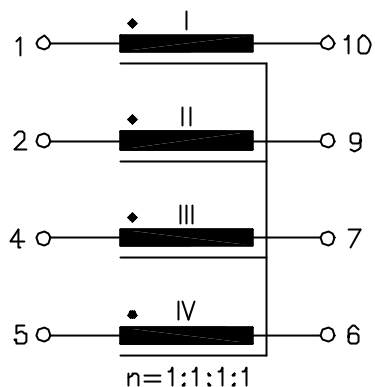
ISDN

UM MODEL NO.:	SPECIFICATION	REV.	
UT28103	4-Fold Common Mode Choke	A3	05/52

Characteristic data:

RI ~ IV ≈ 0.48Ω ± 15%
 In = 300mA
 Tu(amb) ≤ 60°C

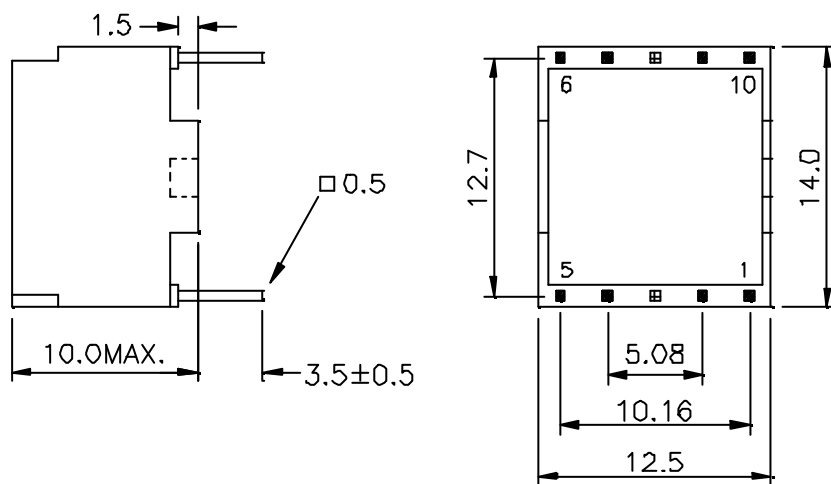
Schematic diagram:



Electrical Specification at 25°C:

- 1.) L = 5mH +50%/-30%, at 10KHz 100mV
- 2.) Polarity and turns ratio tolerance ±1%
- 3.) LsI ≤ 0.5uH, (NII, III, IV shorted), at 100KHz 100mV
- 4.) HI-pot test:
 Up = 0.5KVrms, 2s (Winding to Winding)

Dimension:



- NOTE : 1. For RoHS compliant products:
- a.) The UMEC ordering code: **TG-UT28103**
 - b.) Date Code suffix to "G" (xxxxG).
 - c.) Solder : Sn/Cu .

2. Specifications are subject to change without prior notice.

UNIT: mm

Tolerances ±0.2mm

E10-013-C



UNIVERSAL MICROELECTRONICS CO.,LTD.
 TEL:886-4-23590096 FAX:886-4-23590129
<http://www.umec-web.com> Email:business@umec.com.tw

3,27TH RD.,TAICHUNG INDUSTRIAL PARK,
 TAICHUNG,TAIWAN,R.O.C