

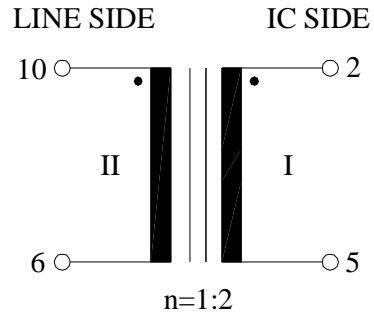
ISDN

UM MODEL NO.:	SPECIFICATION	REV.	
UT28113-B	ISDN S-Interface Transformer For PCMCIA TypeII	B4	01/49

Characteristic data:

- RI $\approx 5.8\Omega$
- RII $\approx 2.9\Omega$
- Tu(amb) $\leq 60^{\circ}\text{C}$

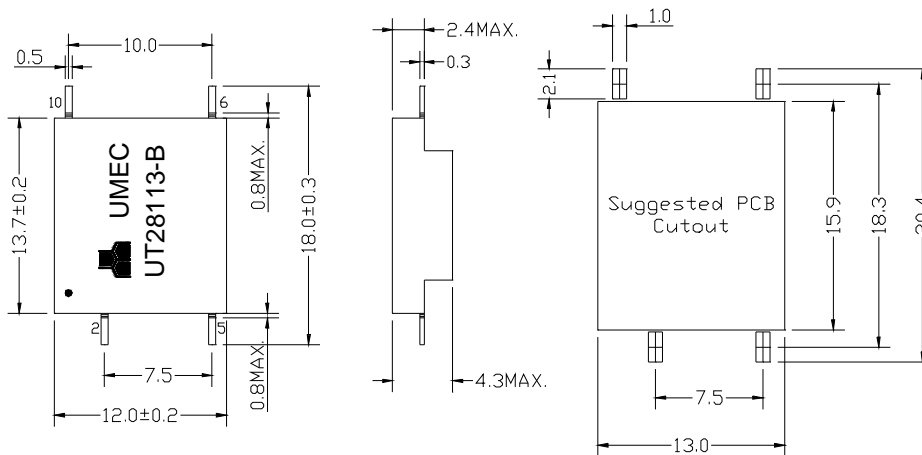
Schematic diagram:



Electrical Specification at 25⁰C:

- 1.) LII $\geq 30\text{mH}$, at 10KHz 50mV
- 2.) Polarity and turns ratio tolerance: $\pm 2\%$
- 3.) Cw/w $\leq 140\text{pF}$, (NI to NII), at 10KHz 50mV
- 4.) LsII $\leq 3.0\mu\text{H}$, (NI shorted), at 100KHz 50mV
- 5.) HI-pot test:
Up=1.5KVrms, 2s(NI to NII)

Dimension:



- Note: 1. Packaging information-tape and reel according to item no. "pcmcia" of data sheet 01-00
2. Specifications are subject to change without prior notice.

UNIT: mm

Tolerances: $\pm 0.2\text{mm}$

E10-013-C



UNIVERSAL MICROELECTRONICS CO.,LTD.
TEL:886-4-23590096 FAX:886-4-23590129
<http://www.umec-web.com> E-mail:business@umec.com.tw

3,27TH RD.,TAICHUNG INDUSTRIAL PARK,
TAICHUNG,TAIWAN,R.O.C