

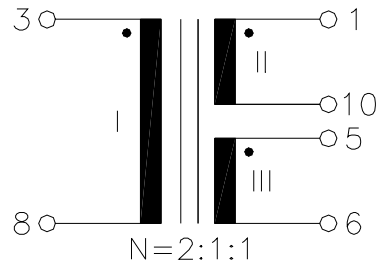
ISDN

UM MODEL NO.:	SPECIFICATION	REV.	
UT28123	S _O -Interface Transformer	A1	99/05

Characteristic data:

$RI \approx 2.4\Omega$
 $R_{II}=R_{III} \approx 1.2\Omega$
 $Tu(amb) \leq 60^{\circ}C$

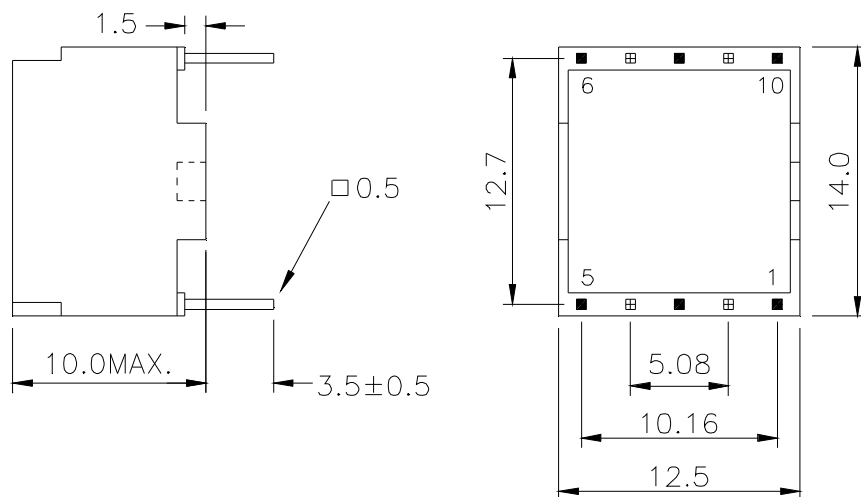
Schematic diagram:



Electrical Specification at 25⁰C:

- 1.) $L_{II+III} \geq 22mH$, (NII+III series), at 10KHz 100mV
- 2.) Polarity and turns ratio tolerance: $\pm 2\%$
- 3.) $Ck \leq 85pF$, (NI to NII || NIII), at 10KHz 100mV
- 4.) $Ls_{II+III} \leq 4.0uH$, (NII+III series, NI shorted), at 100KHz 100mV
- 5.) HI-pot test:
 $U_p = 1.5KV_{rms}, 1s$ (NI to NII+NIII)
 $U_p = 0.5KV_{rms}, 2s$ (NI to NIII)

Dimension:



NOTE: Specifications are subject to change without prior notice.

UNIT: mm

Tolerances: $\pm 0.2mm$



UNIVERSAL MICROELECTRONICS CO.,LTD.
 TEL:886-4-23590096 FAX:886-4-23590129
<http://www.umec-web.com> E-mail:business@umec.com.tw

3,27TH RD.,TAICHUNG INDUSTRIAL PARK,
 TAICHUNG,TAIWAN,R.O.C

E10-013-C