

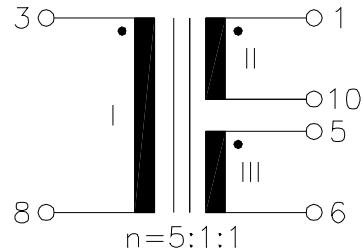
ISDN

UM MODEL NO.:	SPECIFICATION	REV.	
UT28125	S _O -Interface Transformer	A1	99/05

Characteristic data:

RI \approx 5.8 Ω
 RII=RIII \approx 1.2 Ω
 Tu(amb) \leq 60 $^{\circ}$ C

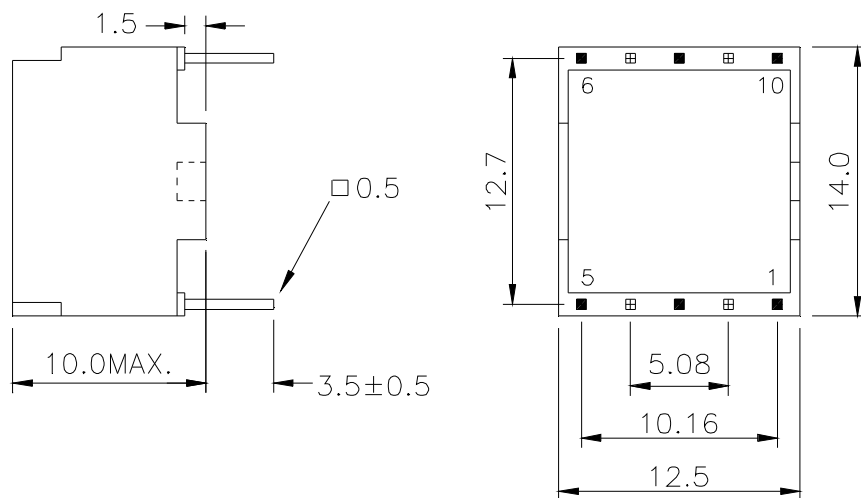
Schematic diagram:



Electrical Specification at 25 $^{\circ}$ C:

- 1.) LII+III \geq 22mH, (NII+III series), at 10KHz 100mV
- 2.) Polarity and turns ratio tolerance: \pm 2%
- 3.) Ck \leq 110pF, (NI to NII || NIII), at 10KHz 100mV
- 4.) LsII+III \leq 4.0uH, (NII+III series, NI shorted), at 100KHz 100mV
- 5.) HI-pot test:
 Up=1.5KVrms, 1s (NI to NII+NIII)
 Up=0.5KVrms, 2s (NII to NIII)

Dimension:



NOTE: Specifications are subject to change without prior notice.

UNIT: mm

Tolerances: \pm 0.2mm



UNIVERSAL MICROELECTRONICS CO.,LTD.
 TEL:886-4-23590096 FAX:886-4-23590129
<http://www.umec-web.com> E-mail:business@umec.com.tw

3,27TH RD.,TAICHUNG INDUSTRIAL PARK,
 TAICHUNG,TAIWAN,R.O.C

E10-013-C