

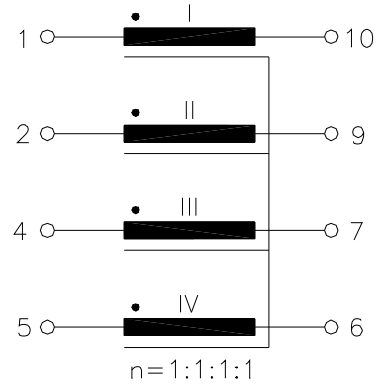
ISDN

UM MODEL NO.:	SPECIFICATION	REV.	
UT28136	4-Fold Common Mode Choke	A1	99/05

Characteristic data:

RI ~ IV \approx 0.25 Ω
 In=400mA
 Tu(amb) \leq 60 $^{\circ}$ C

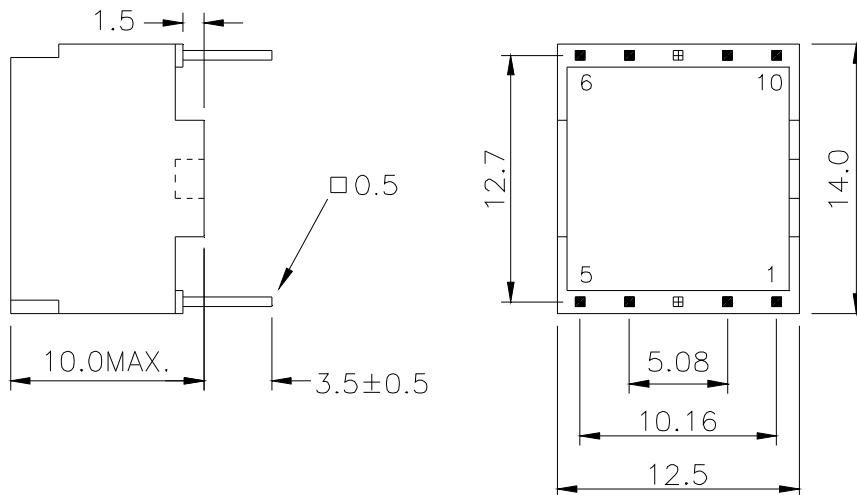
Schematic diagram:



Electrical Specification at 25 $^{\circ}$ C:

- 1.)L=1.7mH +50%/-30%, at 10KHz 100mV
- 2.)Polarity and turns ratio tolerance: \pm 1%
- 3.)Ls I \leq 2.0uH,(NII,III,IV shorted), at 100KHz 100mV
- 4.)HI-pot test:
 Up=0.5KVrms,2s(Winding to Winding)

Dimension:



NOTE: Specifications are subject to change without prior notice.

UNIT: mm

Tolerances: \pm 0.2mm



UNIVERSAL MICROELECTRONICS CO.,LTD.
 TEL:886-4-23590096 FAX:886-4-23590129
<http://www.umec-web.com> E-mail:business@umec.com.tw

3,27TH RD.,TAICHUNG INDUSTRIAL PARK,
 TAICHUNG,TAIWAN,R.O.C

E10-013-C