

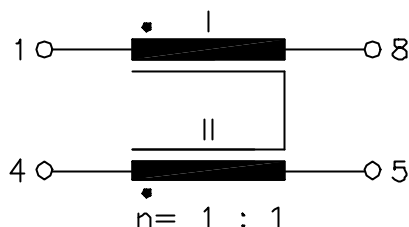
ISDN

UM MODEL NO.:	SPECIFICATION	REV.	
UT28441-TS	2-Fold Common Mode Choke	A2	05/31

Characteristic data:

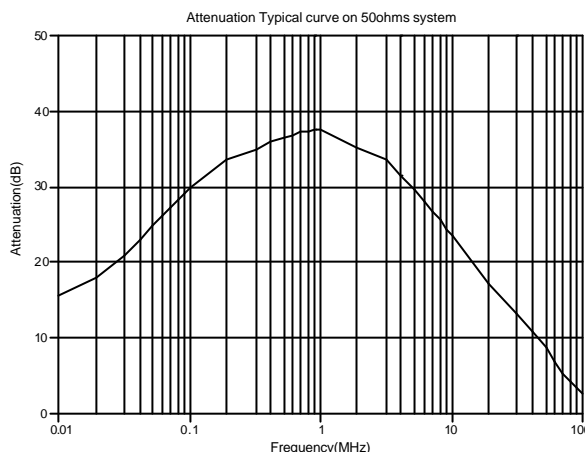
RI=RII≤165mΩ
 In=600mA
 Tu(amb)=70°C

Schematic diagram:

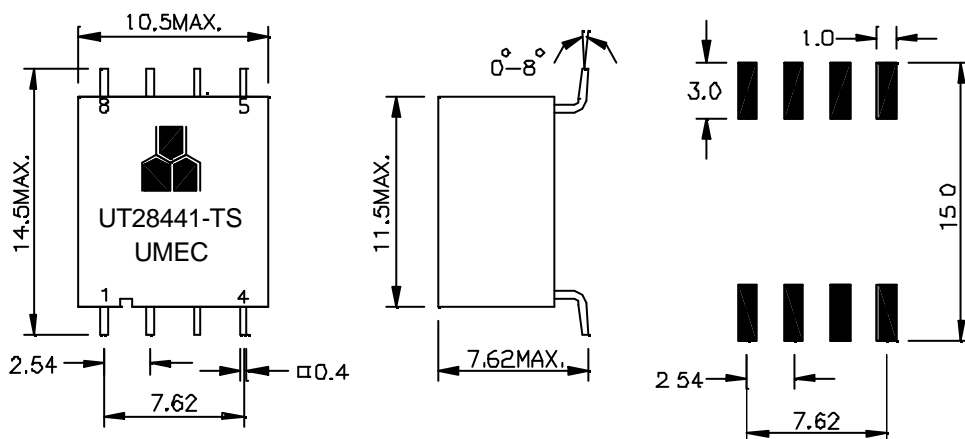


Electrical Specification at 25°C:

- 1.) L=5mH +50%/-30%, at 10KHz 100mV
- 2.) Polarity and turns ratio tolerance±1%
- 3.) L_S I=0.15uH Typ.,(NII shorted),at 100KHz 100mV
- 4.) HI-pot test:
 Up=500Vrms,2s(Winding to Winding)



Dimension:



NOTE: 1.Packaging information-tape and reel according to item no. "K10S01" of DATA SHEET 01-00
 2.Specifications are subject to change without prior notice.

UNIT: mm

Tolerances: ±0.2mm

E10-013-C



UNIVERSAL MICROELECTRONICS CO.,LTD.
 TEL:886-4-23590096 FAX:886-4-23590129
<http://www.umec-web.com> Email:business@umec.com.tw

3,27TH RD.,TAICHUNG INDUSTRIAL PARK,
 TAICHUNG,TAIWAN,R.O.C