

# ISDN

UM PART NO.:	SPECIFICATION	REV.	
UT28453-TS	4-Fold Common Mode Choke	A0	99/13

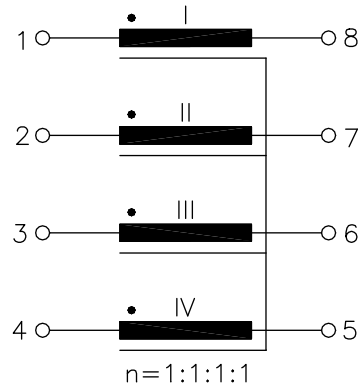
**Characteristic data:**

RI ~ RIV ≤ 0.25Ω

In = 600mA

Tu(amb) ≤ 60°C

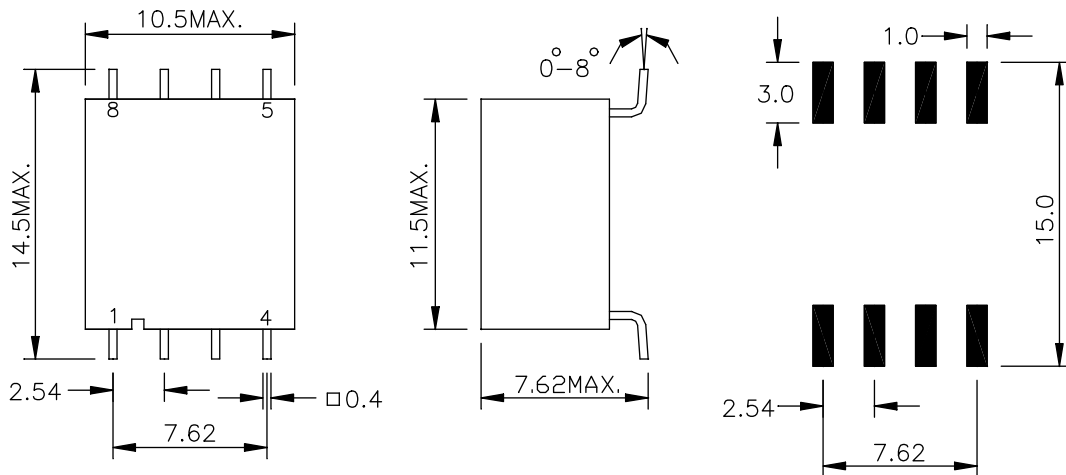
**Schematic diagram:**



**Electrical specification at 25°C:**

- 1.) L = 5.0mH +50%/-30%, at 10KHz 100mV
- 2.) Polarity and turns ratio tolerance: ±1%
- 3.) L<sub>S</sub> I ≤ 0.3uH, (NII,III,IV shorted), at 100KHz 1V
- 4.) HI-POT test:  
Up = 500Vrms, 3s (Winding to Winding)

**Dimension:**



NOTE: PACKAGING INFORMATION-TAPE AND REEL  
ACCORDING TO ITEM NO. "K10S" OF DATA SHEET 01-00

UNIT: mm

Tolerance: ±0.2mm

E10-013-B

**UNIVERSAL MICROELECTRONICS CO.,LTD.**  
TEL:886-4-3590096 FAX:886-4-3590129  
http://www.umec-web.com E-mail:business@umec.com.tw

**3,27TH RD.,TAICHUNG INDUSTRIAL PARK,  
TAICHUNG,TAIWAN,R.O.C.**