

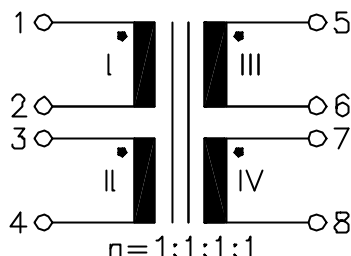
ISDN

UM MODEL NO.:	SPECIFICATION	REV.	
UT28462-TS	S _O -Interface Transformer	A1	05/44

Characteristic data:

$f=96\text{KHz}$
 $C_{wIII+IV} \approx 40\text{pF}$
 $R_{I+II} \approx 2.7\Omega$
 $R_{III+IV} \approx 2.8\Omega$
 $\Delta I_{dc}=4\text{mA}$
 $T_u(\text{amb}) \leq 60^\circ\text{C}$

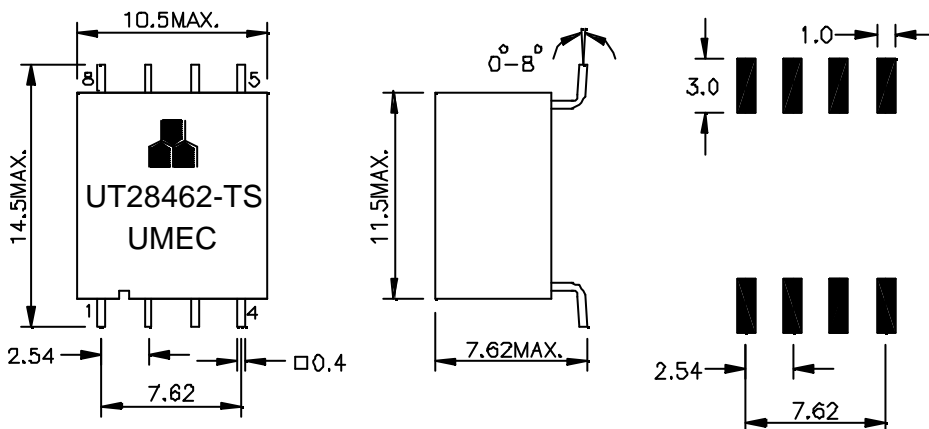
Schematic diagram:



Electrical Specification at 25⁰C:

- 1.) $L_{III+IV} \geq 30\text{mH}$, (N_{III+IV} series), at 10KHz 100mV
- 2.) Polarity and turns ratio tolerance: $\pm 2\%$
- 3.) $C_k \leq 100\text{pF}$, (N_I || N_{II} to N_{III} || N_{IV}), at 10KHz 100mV
- 4.) $L_s III+IV \leq 3.0\mu\text{H}$, (N_{III+IV} series, N_{I+II} shorted), at 100KHz 100mV
- 5.) $Z_{III} = Z_{IV} \geq 625\Omega$, at 20KHz 100mV with $\Delta I_{dc}=4\text{mA}$
- 6.) HI-pot test:
 $U_p = 1.5\text{KV}_{rms, 2s}$ (N_{I+II} to N_{III+IV})
 $U_p = 0.5\text{KV}_{rms, 2s}$ (N_I to N_{II}, N_{III} to N_{IV})

Dimension:



- NOTE: 1. Packaging Information: Tape and Reel according to Item NO. "K10S" OF DATA SHEET 01-00
2. For RoHS compliant products:
 - a.) The UMEC ordering code: **TG-UT28462-TS**
 - b.) Date Code suffix to "G" (xxxxG).
 - c.) Solder : Sn/Ag/Cu .
 3. Specifications are subject to change without prior notice.

UNIT: mm

Tolerances: $\pm 0.2\text{mm}$



UNIVERSAL MICROELECTRONICS CO.,LTD.
 TEL:886-4-23590096 FAX:886-4-23590129
<http://www.umec-web.com> Email:business@umec.com.tw

3,27TH RD.,TAICHUNG INDUSTRIAL PARK,
 TAICHUNG,TAIWAN,R.O.C

E10-013-C