

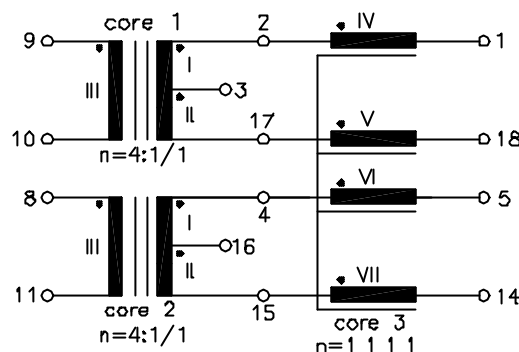
ISDN

UM MODEL NO.:	SPECIFICATION	REV.	
UT28615-TS	S _O -Interface Module	A2	06/37

Characteristic data:

$R_I=R_{II} \approx 1.35\Omega$
 $R_{III+IV} \approx 4.8\Omega$
 $R_V \sim R_{VIII} \approx 1.1\Omega$
 $\Delta I_{dc}=3mA$
 $T_u(amb) \leq 60^{\circ}C$

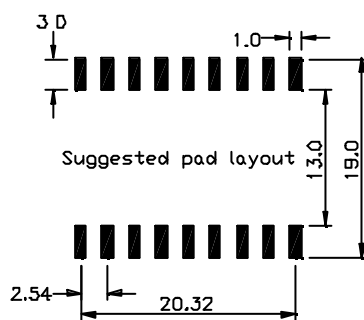
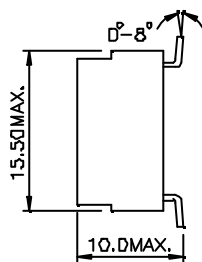
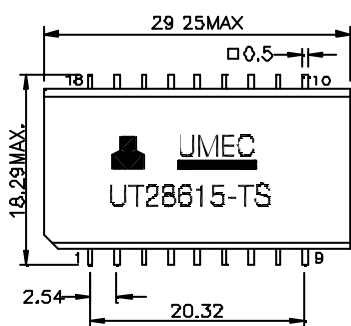
Schematic diagram:



Electrical Specification at 25⁰C:

- 1.) $L_{I+II} \geq 22mH$, (NI+II series), at 10KHz 100mV (core 1,2)
- 2.) Polarity and turns ratio tolerance: $\pm 2\%$ (core 1,2)
- 3.) Polarity and turns ratio tolerance: $\pm 1\%$ (core 3)
- 4.) $C_k \leq 120pF$, (N_{III+IV} to N_{I+V} || N_{II+VI} , or N_{I+VII} || $N_{II+VIII}$), at 10KHz 100mV (core 1,2)
- 5.) $L_s I+II \leq 7.0uH$, (NI+II series, N_{III+IV} shorted), at 100KHz 100mV (core 1,2)
- 6.) $L_s V \leq 0.6uH$, ($N_{VI}, VII, VIII$ shorted), at 100KHz 100mV (core 3)
- 7.) $L_V = L_{VI} = L_{VII} = L_{VIII} = 5.0mH \pm 50\% / -30\%$, at 10KHz 100mV (core 3)
- 8.) $Z_I = Z_{II} \geq 625\Omega$, at 20KHz 100mV with $\Delta I_{dc} = 3mA$ (core 1,2)
- 9.) HI-pot test:
 $U_p = 1.5KV_{rms}, 3s$ [NI/II (core 1+core 2) to NIII/IV (core 1+core 2)]
 $U_p = 0.5KV_{rms}, 2s$ [NV+IV (core 3)+NIII/IV (core 1) to NVII+VIII (core 3)+NIII/IV (core 2)]

Dimension:



- Note:
1. Packaging information-tape and reel according to item no. "K40S" of data sheet 01-00
 2. For RoHS compliant products:
 - a.) The UMEC ordering code: **TG-UT28615-TS**
 - b.) Date Code suffix to "G" (xxxxG)
 - c.) Solder: Sn/Ag/Cu
 3. Specifications are subject to change without prior notice

UNIT: mm

Tolerances: $\pm 0.2mm$



UNIVERSAL MICROELECTRONICS CO.,LTD.
 TEL:886-4-23590096 FAX:886-4-23590129
<http://www.umec-web.com> Email:business@umec.com.tw

3,27TH RD.,TAICHUNG INDUSTRIAL PARK,
 TAICHUNG,TAIWAN,R.O.C

E10-013-C