

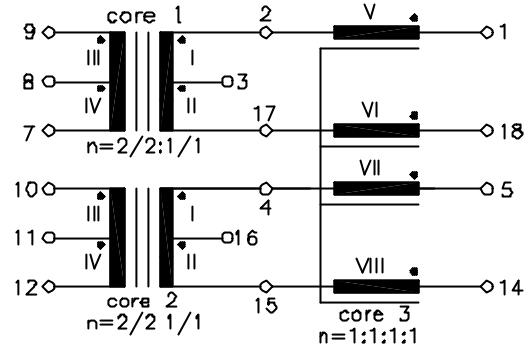
# ISDN

UM MODEL NO.:	SPECIFICATION	REV.	
UT28624A-TS	S <sub>O</sub> -Interface Module	A5	06/37

**Characteristic data:**

$R_I = R_{II} \approx 0.6\Omega$   
 $R_{III} = R_{IV} \approx 1.8\Omega$   
 $R_V \sim R_{VIII} \approx 1.1\Omega$   
 $\Delta I_{dc} = 5mA$   
 $T_u(amb) \leq 60^\circ C$

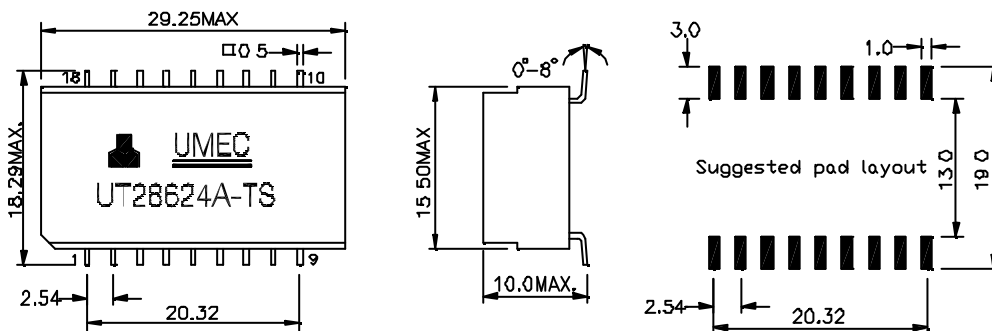
**Schematic diagram:**



**Electrical Specification at 25<sup>0</sup>C:**

- LI+II ≥ 30mH, (NI+II series), at 10KHz 100mV (core 1,2)
- Polarity and turns ratio tolerance: ±1% (core 1,2,3)
- Ck ≤ 150pF, (NIII+IV to NI+V || NII+VI, or NI+VII || NII+VIII), at 10KHz 100mV (core 1,2)
- L<sub>S</sub> I+II ≤ 5.0uH, (NI+II series, NIII+IV shorted), at 100KHz 100mV (core 1,2)
- L<sub>S</sub> V ≤ 0.6uH, (NIV, VII, VIII shorted), at 100KHz 100mV (core 3)
- LV = LVI = LVII = LVIII = 5mH +50%/-30%, at 10KHz 100mV (core 3)
- ZI = ZII ≥ 625Ω, at 20KHz 100mV with ΔI<sub>dc</sub> = 5mA (core 1,2)
- HI-POT test:  
 Up = 2.0KVrms, 2s [ NI/II (core 1+ core 2) to NIII/IV (core 1+ core 2) ]  
 Up = 0.5KVrms, 2s [ NV+VI (core 3)+NIII/IV (core 1) to (NVII+VIII (core 3)+NIII/IV (core 2) ]

**Dimension:**



- NOTE :
- Packaging Information: Tape and Reel according to Item NO. "H06S" of data sheet 01-00
  - For RoHS compliant products:
    - The UMEC ordering code: **TG-UT28624A-TS**
    - Date Code suffix to "G" (xxxxG).
    - Solder : Sn/Ag/Cu .
  - Specifications are subject to change without prior notice.

UNIT: mm

Tolerances: ±0.2mm



**UNIVERSAL MICROELECTRONICS CO.,LTD.**  
 TEL:886-4-23590096 FAX:886-4-23590129  
<http://www.umec-web.com> Email:business@umec.com.tw

3,27TH RD.,TAICHUNG INDUSTRIAL PARK,  
 TAICHUNG,TAIWAN,R.O.C

E10-013-C