

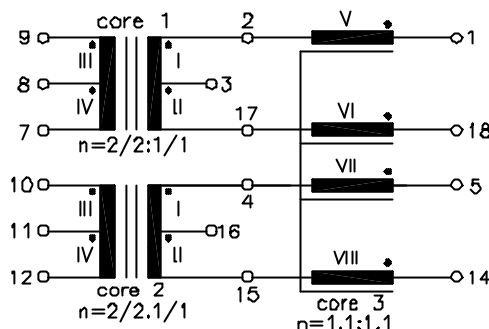
ISDN

UM MODEL NO.:	SPECIFICATION	REV.	
UT28624C-TS	S _O -Interface Module	A2	06/37

Characteristic data:

$R_I=R_{II} \approx 1.45\Omega$
 $R_{III}=R_{IV} \approx 2.65\Omega$
 $R_V \sim R_{VIII} \approx 1.1\Omega$
 $\Delta I_{dc}=3.6mA$
 $T_u(amb) \leq 60^\circ C$

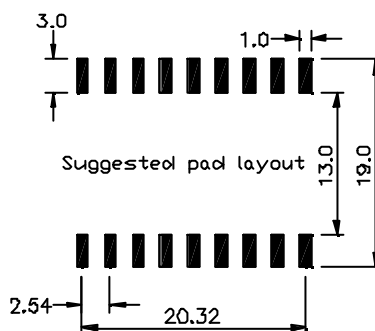
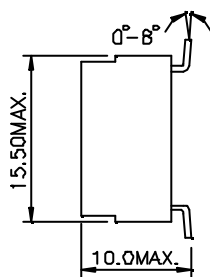
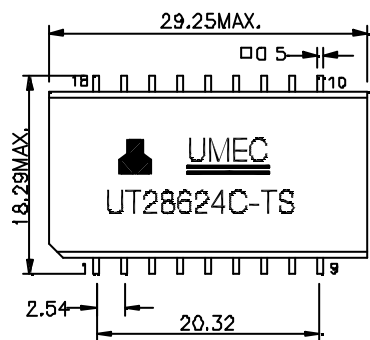
Schematic diagram:



Electrical Specification at 25°C:

- LI+II \geq 22mH, (NI+II series), at 10KHz 100mV (core 1,2)
- Polarity and turns ratio tolerance: $\pm 1\%$ (core 1,2,3)
- Ck \leq 150pF, (NIII+IV to NI+V || NII+VI, or NI+VII || NII+VIII) , at 10KHz 100mV (core 1,2)
- L_S I+II \leq 6.0uH, (NI+II series, NIII+IV shorted), at 100KHz 100mV (core 1,2)
- L_S V \leq 0.6uH, (NIV, VII, VIII shorted), at 100KHz 100mV (core 3)
- LV=LVI=LVII=LVIII=5mH +50%/-30%, at 10KHz 100mV (core 3)
- ZI=ZII \geq 625 Ω , at 20KHz 100mV with $\Delta I_{dc}=3.6mA$ (core 1,2)
- HI-POT test:
 Up=2.0KVrms,2s [NI/II (core 1+ core 2) to NIII/IV (core 1+ core 2)]
 Up=0.5KVrms,2s [NV+VI (core 3)+NIII/IV (core 1) to (NVII+VIII (core 3)+NIII/IV (core 2)]

Dimension:



- Note:
- Packaging information-tape and reel according to item no. "K40S" of data sheet 01-00
 - For RoHS compliant products:
 - The UMEC ordering code: **TG-UT28624C-TS**
 - Date Code suffix to "G" (xxxxG)
 - Solder: Sn/Ag/Cu
 - Specifications are subject to change without prior notice

UNIT: mm

Tolerances: $\pm 0.2mm$



UNIVERSAL MICROELECTRONICS CO.,LTD.
 TEL:886-4-23590096 FAX:886-4-23590129
 http://www.umec-web.com Email:business@umec.com.tw

3,27TH RD.,TAICHUNG INDUSTRIAL PARK,
 TAICHUNG,TAIWAN,R.O.C

E10-013-C