

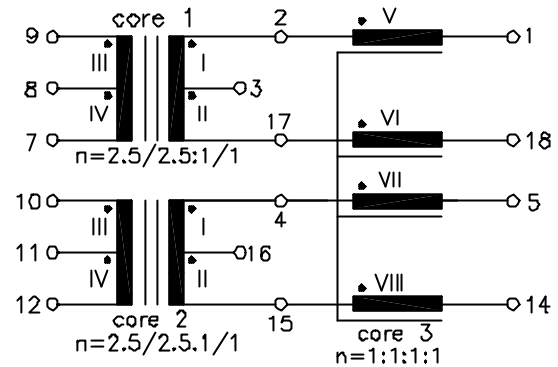
ISDN

UM MODEL NO.:	SPECIFICATION	REV.	
UT28626-TS	S _O -Interface Module	B3	06/37

Characteristic data:

$R_I=R_{II} \approx 1.4\Omega$
 $R_{III}=R_{IV} \approx 3.2\Omega$
 $R_V \sim R_{VIII} \approx 1.1\Omega$
 $\Delta I_{dc}=3.6mA$
 $T_u(amb)\leq 60^\circ C$

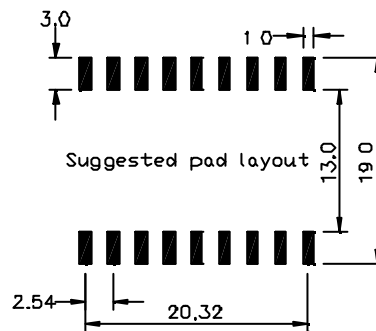
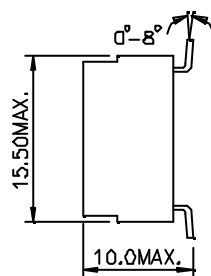
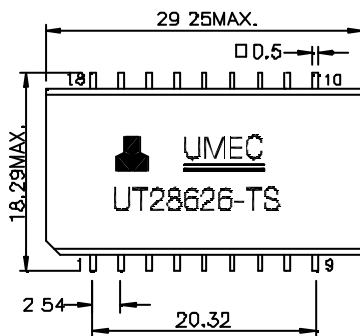
Schematic diagram:



Electrical Specification at 25⁰C:

- LI+II $\geq 22mH$, (NI+II series), at 10KHz 100mV (core 1,2)
- Polarity and turns ratio tolerance: $\pm 1\%$ (core 1,2,3)
- $C_k \leq 150pF$, (NIII+IV to NI+V || NII+VI, or NI+VII || NII+VIII)
 , at 10KHz 100mV (core 1,2)
- $L_S I+II \leq 6.0uH$, (NI+II series, NIII+IV shorted), at 100KHz 100mV (core 1,2)
- $L_S V \leq 0.6uH$, (NIV, VII, VIII shorted), at 100KHz 100mV (core 3)
- $L_V=L_{VI}=L_{VII}=L_{VIII}=5mH \pm 50\%/-30\%$, at 10KHz 100mV (core 3)
- $Z_I=Z_{II} \geq 625\Omega$, at 20KHz 100mV with $\Delta I_{dc}=3.6mA$ (core 1,2)
- HI-POT test:
 $U_p=2.0KV_{rms}, 2s$ [NI/II (core 1+ core 2) to NIII/IV (core 1+ core 2)]
 $U_p=0.5KV_{rms}, 2s$ [NV+VI (core 3)+NIII/IV (core 1) to (NVII+VIII (core 3)+NIII/IV (core 2))]

Dimension:



- Note: 1. Packaging information-tape and reel according to item no. "K40S" of data sheet 01-00
 2. For RoHS compliant products:
 a.) The UMEC ordering code: **TG-UT28626-TS**
 b.) Date Code suffix to "G" (xxxxG)
 c.) Solder: Sn/Ag/Cu
 3. Specifications are subject to change without prior notice

UNIT: mm

Tolerances: $\pm 0.2mm$



UNIVERSAL MICROELECTRONICS CO.,LTD.
 TEL:886-4-23590096 FAX:886-4-23590129
<http://www.umec-web.com> Email:business@umec.com.tw

3,27TH RD.,TAICHUNG INDUSTRIAL PARK,
 TAICHUNG,TAIWAN,R.O.C

E10-013-C