

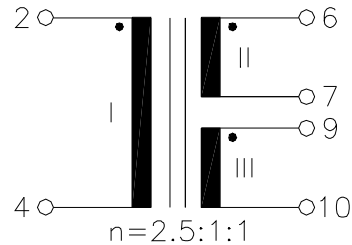
ISDN

UM MODEL NO.:	SPECIFICATION	REV.	
UT28902-TS	U _{PO} -Interface Transformer	B2	99/05

Characteristic data:

$R_{II}=R_{III}=0.75\Omega\pm 20\%$
 $R_I=1.65\Omega\pm 20\%$
 $I_{dc}=75mA$
 $T_u(amb)\leq 60^{\circ}C$

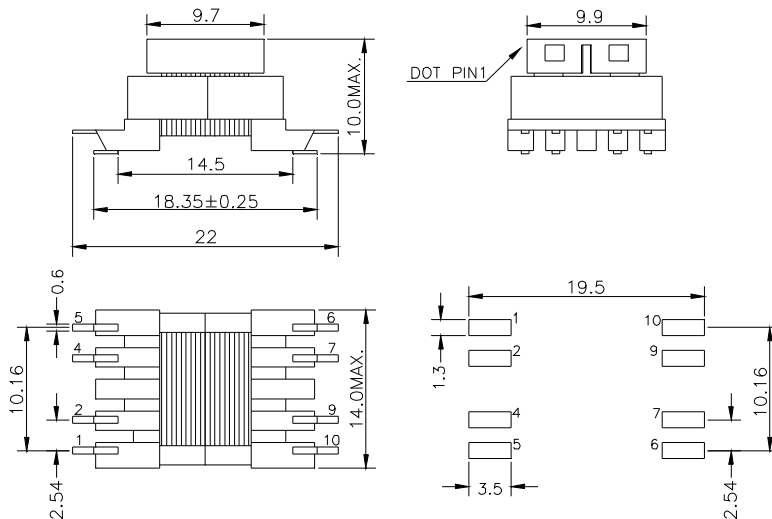
Schematic diagram:



Electrical Specification at 25⁰C:

- 1.) $L_{II+III}\geq 1.7mH$, (NII+III series), at 10KHz 50mV with $I_{dc}=75mA$
- 2.) Polarity and turns ratio tolerance: $\pm 2\%$
- 3.) $C_k\leq 100pF$, (NI to NII and NI to NIII), at 10KHz 50mV
- 4.) $L_s II+III\leq 15.0uH$, (NII+III series, NI shorted), at 100KHz 50mV
- 5.) HI-pot test:
 $U_p=500V_{rms}, 2s$ (NI to NII; NI to NIII)

Dimension:



NOTE: 1.PACKAGING INFORMATION-TAPE AND REEL
 ACCORDING TO ITEM NO. "EF12.6B" OF DATA SHEET 01-00
 2.Specifications are subject to change without prior notice.

UNIT: mm

Tolerances: $\pm 0.2mm$



UNIVERSAL MICROELECTRONICS CO.,LTD.
 TEL:886-4-23590096 FAX:886-4-23590129
 http://www.umec-web.com E-mail:business@umec.com.tw

3,27TH RD.,TAICHUNG INDUSTRIAL PARK,
 TAICHUNG,TAIWAN,R.O.C

E10-013-C