

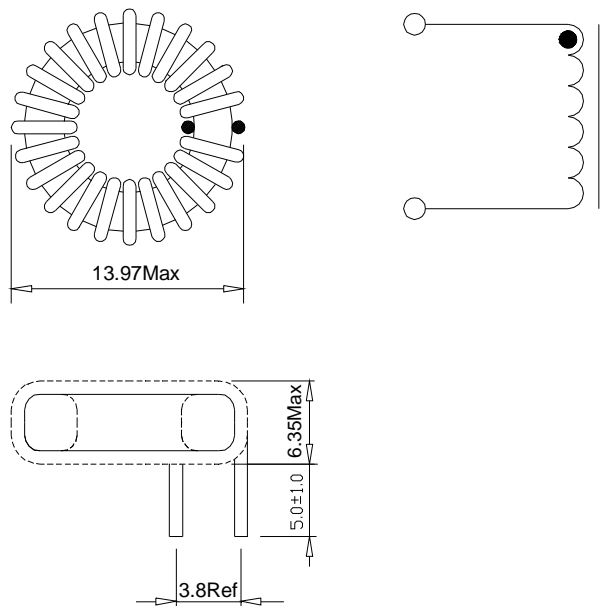
DATA SHEET

UM MODEL NO.:	SPECIFICATION	REV.	
UT30100L	INDUCTOR	A1	99/24

ELECTRICAL SPECIFICATIONS AT 25⁰C

1. INDUCTANCE : 20.7uH -12% ~ 20% , AT 1KHz 2.3mV , Ls.
2. D.C.Resistance : 40mΩ MAX.

DIMENSIONS & SCHEMATICS



Note: Specifications are subject to change without prior notice.

UNIT : mm

E10-007-C



UNIVERSAL MICROELECTRONICS CO.,LTD.
TEL:886-4-23590096 FAX:886-4-23590129
<http://www.umec-web.com> E-mail:business@umec.com.tw

3,27TH RD.,TAICHUNG INDUSTRIAL PARK,
TAICHUNG,TAIWAN,R.O.C