

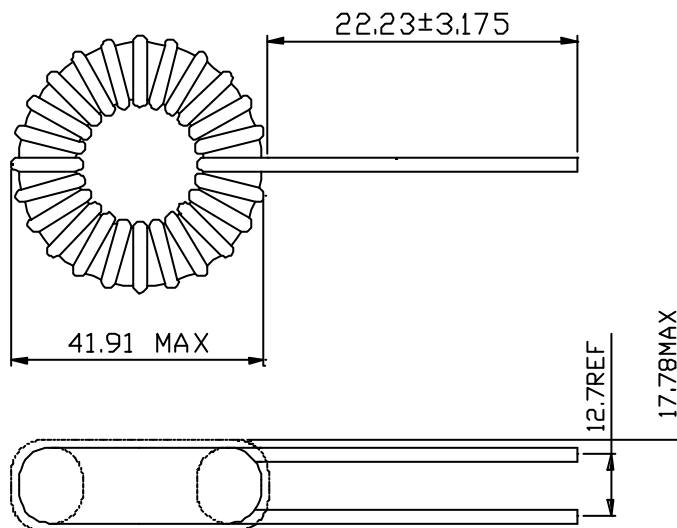
DATA SHEET

UM MODEL NO.:	SPECIFICATION	REV.	
UT30115	INDUCTOR	A1	06/13

ELELCTRICAL SPECIFICATION AT 25 °C :

1. INDUCTANCE : 96.0uH+20%-12% AT 1KHz , 1V , PIN(1-2).
2. D.C.Resistance : 30.0mΩ MAX. PIN(1-2)

DIMENSION & SCHEMATIC :



- NOTE : 1. For RoHS compliant products:
- a.) The UMEC ordering code: **TG-UT30115**
 - b.) Date Code suffix to "G" (xxxxG).
 - c.) Solder : Sn/Cu .
2. Specifications are subject to change without prior notice.

UNIT : mm

E10-007-C



UNIVERSAL MICROELECTRONICS CO.,LTD.
TEL:886-4-23590096 FAX:886-4-23590129
<http://www.umec-web.com> Email:business@umec.com.tw

3,27TH RD.,TAICHUNG INDUSTRIAL PARK,
TAICHUNG,TAIWAN,R.O.C