

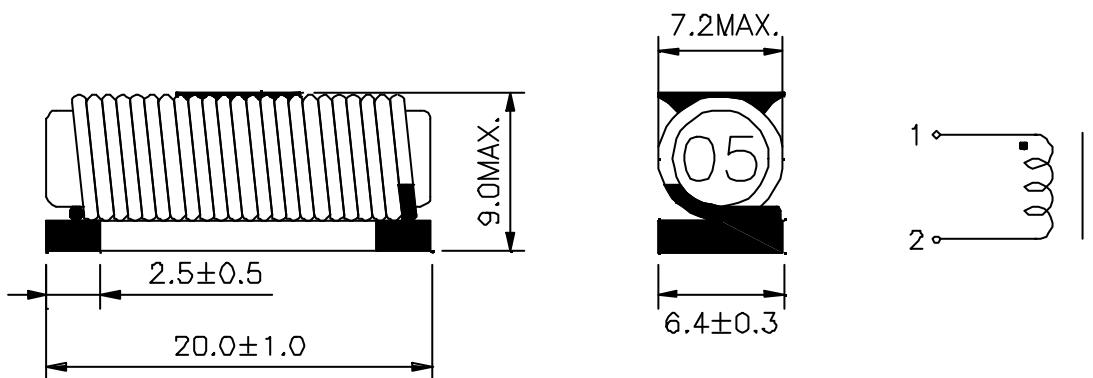
DATA SHEET

UM MODEL NO.:	SPECIFICATION	REV.	
UT30831	INDUCTOR	A1	05/34

ELELCTRICAL SPECIFICATION AT 25 °C :

1. INDUCTANCE : 6.0uH±20% AT 10KHz , 100mV , PIN(1-2).
2. D.C.Resistance : 11.5mΩ MAX.

DIMENSION & SCHEMATIC :



- NOTE : 1. Packaging Information-Tape And Reel According To Item No. "UT308A" Of Data Sheet 01-00
 2. For RoHS compliant products:
 a.) The UMEC ordering code: **TG-UT30831**
 b.) Date Code suffix to "G" (xxxxG).
 c.) Solder : Sn/Ag/Cu .
 3. Specifications are subject to change without prior notice.

UNIT : mm

E10-007-C



UNIVERSAL MICROELECTRONICS CO.,LTD.
 TEL:886-4-23590096 FAX:886-4-23590129
<http://www.umec-web.com> Email:business@umec.com.tw

3,27TH RD.,TAICHUNG INDUSTRIAL PARK,
 TAICHUNG,TAIWAN,R.O.C