

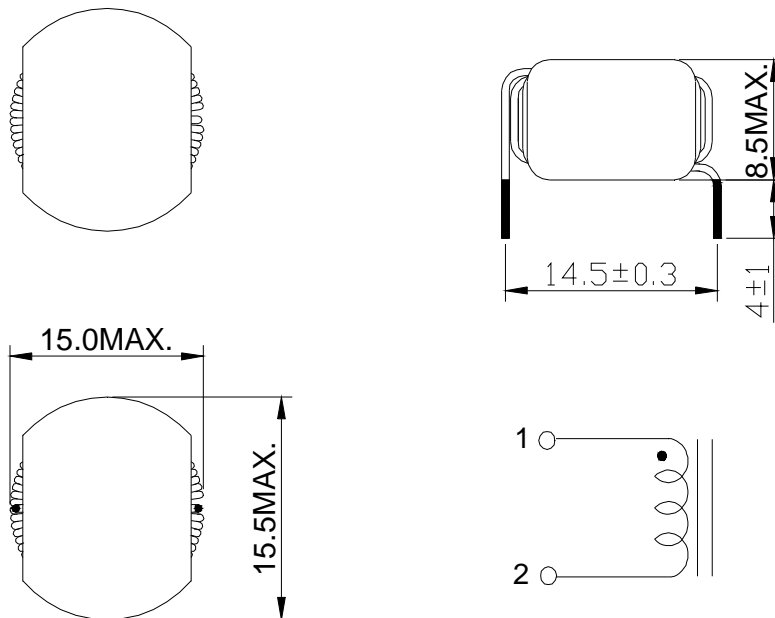
# DATA SHEET

UM MODEL NO.:	SPECIFICATION	REV.	
UT30907	INDUCTOR	A0	02/12

## ELECTRICAL SPECIFICATION AT 25 °C

1. INDUCTANCE : 120uH±10% AT 10KHz , 0.25V , Ls , PIN(1-2).
2. D.C.Resistance : 115mΩ MAX. PIN(1-2).

## DIMENSIONS & SCHEMATICS



Note: Specifications are subject to change without prior notice.

UNIT : mm

E10-007-C



UNIVERSAL MICROELECTRONICS CO.,LTD.  
TEL:886-4-23590096 FAX:886-4-23590129  
<http://www.umec-web.com> E-mail:business@umec.com.tw

3,27TH RD.,TAICHUNG INDUSTRIAL PARK,  
TAICHUNG,TAIWAN,R.O.C