

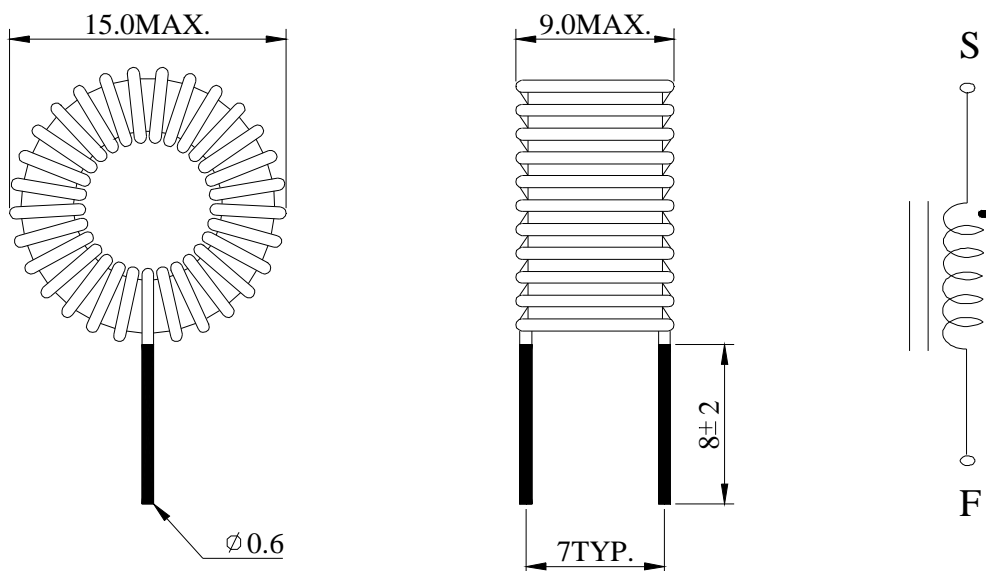
# DATA SHEET

UM MODEL NO.:	SPECIFICATION	REV.	
UT30967	INDUCTOR	A0	02/50

ELELCTRICAL SPECIFICATION AT 25 °C :

1. INDUCTANCE : 36.6uH±10% AT 10KHz , 50mV , PIN(S-F).
2. D.C.Resistance : 44mΩ MAX. PIN(S-F)

DIMENSION & SCHEMATIC :



NOTE : specifications are subject to change without prior notice

UNIT : mm



UNIVERSAL MICROELECTRONICS CO.,LTD.  
 TEL:886-4-23590096 FAX:886-4-23590129  
<http://www.umec-web.com> E-mail:business@umec.com.tw

3,27TH RD.,TAICHUNG INDUSTRIAL PARK,  
 TAICHUNG,TAIWAN,R.O.C

E10-007-C