

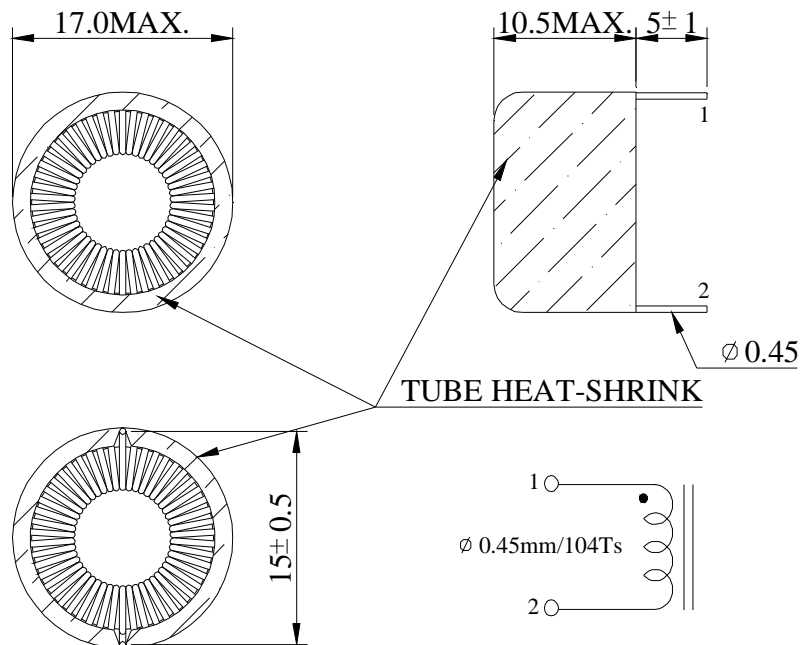
DATA SHEET

UM MODEL NO.:	SPECIFICATION	REV.	
UT30A45	INDUCTOR	A0	03/42

ELELCTRICAL SPECIFICATION AT 25 °C :

1. INDUCTANCE : 470uH \pm 20%. AT 10KHz , 1V , Ls , PIN(1-2).
2. INDUCTANCE : 150uH \pm 20%. AT 10KHz , 1V , BIAS=2.5Adc , Ls , PIN(1-2).
3. D.C.Resistance : 300m Ω MAX. , PIN(1-2).

DIMENSION & SCHEMATIC :



NOTE : specifications are subject to change without prior notice

UNIT : mm



UNIVERSAL MICROELECTRONICS CO.,LTD.
 TEL:886-4-23590096 FAX:886-4-23590129
<http://www.umec-web.com> E-mail:business@umec.com.tw

3,27TH RD.,TAICHUNG INDUSTRIAL PARK,
 TAICHUNG,TAIWAN,R.O.C

E10-007-C