

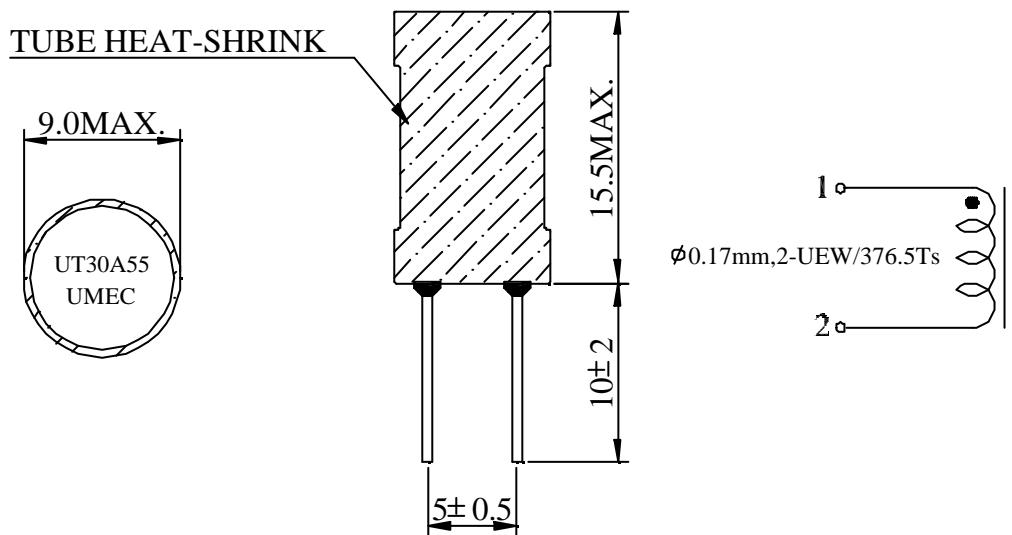
DATA SHEET

UM MODEL NO.:	SPECIFICATION	REV.	
UT30A55	INDUCTOR	A0	04/02

ELELCTRICAL SPECIFICATION AT 25⁰C :

1. INDUCTANCE : 4.7mH \pm 5%. AT 10KHz , 1V , Ls , PIN(1-2).
2. INDUCTANCE : DOWN10% MAX. AT 10KHz , 1V , BIAS=0.15A , Ls , PIN(1-2).
3. D.C.Resistance : 6.0 Ω MAX. , PIN(1-2).

DIMENSION & SCHEMATIC :



NOTE : specifications are subject to change without prior notice

UNIT : mm

E10-007-C



UNIVERSAL MICROELECTRONICS CO.,LTD.
TEL:886-4-23590096 FAX:886-4-23590129
<http://www.umec-web.com> Email:business@umec.com.tw

3,27TH RD.,TAICHUNG INDUSTRIAL PARK,
TAICHUNG,TAIWAN,R.O.C