

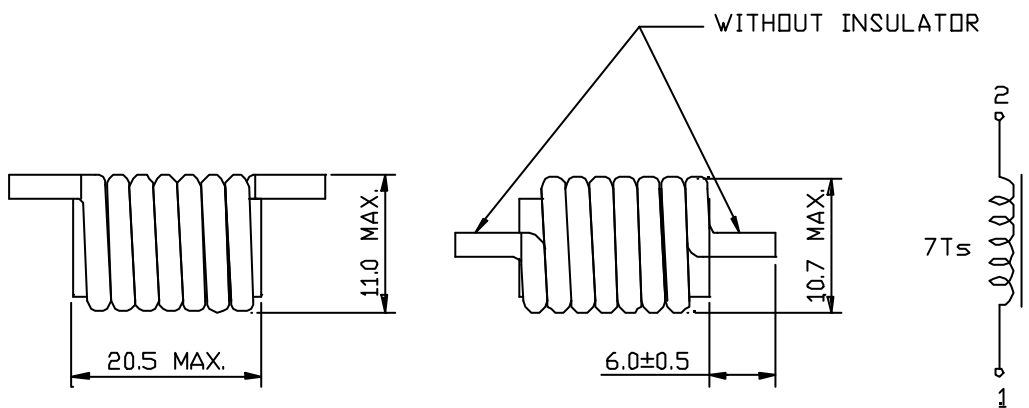
DATA SHEET

UM MODEL NO.:	SPECIFICATION	REV.	
UT30A59	INDUCTOR	A0	04/05

ELECTRICAL SPECIFICATION AT 25°C

1. INDUCTANCE : 1.1 μ H \pm 20% AT 1KHz 1V , PIN(1-2).
2. D.C.Resistance : 1.4m Ω MAX.
3. RATED CURRENT : 42A.

DIMENSION & SCHEMATIC



NOTE : specifications are subject to change without prior notice.

UNIT : mm

E10-007-C



UNIVERSAL MICROELECTRONICS CO.,LTD.
 TEL:886-4-23590096 FAX:886-4-23590129
<http://www.umec-web.com> Email:business@umec.com.tw

3,27TH RD.,TAICHUNG INDUSTRIAL PARK,
 TAICHUNG,TAIWAN,R.O.C