

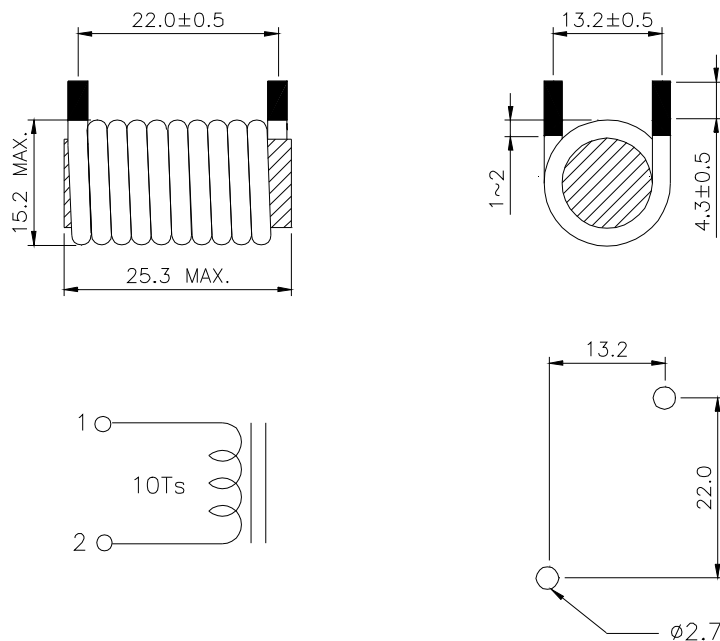
DATA SHEET

UM MODEL NO.:	SPECIFICATION	REV.	
UT30A60	INDUCTOR	B0	04/22

ELECTRICAL SPECIFICATION AT 25°C

1. INDUCTANCE : 2.8uH \pm 20% AT 1KHz 1V , PIN(1-2).
2. D.C.Resistance : 2.3m Ω MAX.
3. RATED CURRENT : 42A.

DIMENSION & SCHEMATIC



NOTE : specifications are subject to change without prior notice.

UNIT : mm

E10-007-C



UNIVERSAL MICROELECTRONICS CO.,LTD.
 TEL:886-4-23590096 FAX:886-4-23590129
<http://www.umec-web.com> E-mail:business@umec.com.tw

3,27TH RD.,TAICHUNG INDUSTRIAL PARK,
 TAICHUNG,TAIWAN,R.O.C